



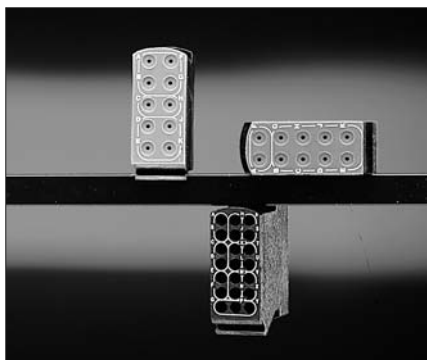
8559 Series

Applications

Building interconnection combinations of variable and transformable composition under a compact size.

Standards

NFC 93462 HL 103 - NFL 53105 B, Aerospace's specification



Description

- Rail profile support where terminations modules are installed
- Two types of modules
- Contacts : size 22 or 20
- Sealed and unsealed version

Characteristics

Mechanical

- Module : thermoplastic (class UL-94-VO)
- Grommet : silicone elastomer (for sealed version)
- Rail profile : aluminum alloy plating - yellow anodized
- Module clamp : stainless steel
- Contact : copper alloy - plating : gold over nickel
- Vibration : to NFC 20616 severity 2000-20 10 to 2000 Hz - 20 g
- Shock : to NFC 20608 - 100 g peak during 6 ms
- Contact retention : size 22 - 5.4 daN
size 20 - 9 daN

Electrical

- Test voltage : 1500 Vrms
- Contact resistance : size 22 - 5 mΩ
size 20 - 4 mΩ
- Insulation resistance : ≥ 5000 MΩ (under 500 Vdc)
- Working voltage :
per contact : size 22 : 5 A
size 20 : 7.5 A
per shunt : size 22 : 7 A
size 20 : 16 A

Climatic

- Temperature range : -55°C +175°C
- Damp heat : to NFC 20603 severity 4 - 56 days

Resistance to fluids :

- JP5
- Skydrol 500 B4
- MIL-L 23699
- Glycol
- MIL-D 16791 - type1
- Methyleneethyl Ketone
- Hyjet IV
- Skydrol L 04
- MIL-L-7870/A
- Air 3660/A
- PD 680 - type 1
- Trichloroethane

Ordering information

Module

basic series	8559		N	20	01	B
class	N - unsealed module	E - sealed module				
module type	22 - size 22 contact	20 - size 20 contact				
contact layouts	see table next page					
last version						

Rail profile part numbers

basic series	8559	RB	2000	A
type of rail profile	RB			
length	2000-2 meters			
plating	A-yellow anodized			

Module clamp part number : 8559 S

Cross reference list

Aerospatiale part numbers	Souriau part numbers
NSA 937 901 MA 22 01	8559 N 22 01 B
NSA 937 901 MA 22 02	8559 N 22 02 B
NSA 937 901 MA 22 03	8559 N 22 03 B
NSA 937 901 MA 22 04	8559 N 22 04 B
NSA 937 901 MA 22 05	8559 N 22 05 B
NSA 937 901 MA 22 06	8559 N 22 06 B
NSA 937 901 MA 20 01	8559 N 20 01 B
NSA 937 901 MA 20 02	8559 N 20 02 B
NSA 937 901 MA 20 03	8559 N 20 03 B
NSA 937 901 MA 20 04	8559 N 20 04 B
NSA 937 901 MA 20 06	8559 N 20 06 B
NSA 937 901 MA 20 07	8559 N 20 07 B
NSA 937 901 MA 20 08	8559 N 20 08 B
NSA 937 901 MA 20 09	8559 N 20 09 B
NSA 937 901 MA 20 11	8559 N 20 11 B

Aerospatiale part numbers	Souriau part numbers
NSA 937 901 M 22 01	8559 E 22 01 B
NSA 937 901 M 22 02	8559 E 22 02 B
NSA 937 901 M 22 03	8559 E 22 03 B
NSA 937 901 M 22 04	8559 E 22 04 B
NSA 937 901 M 22 05	8559 E 22 05 B
NSA 937 901 M 22 06	8559 E 22 06 B
NSA 937 901 M 20 01	8559 E 20 01 B
NSA 937 901 M 20 02	8559 E 20 02 B
NSA 937 901 M 20 03	8559 E 20 03 B
NSA 937 901 M 20 04	8559 E 20 04 B
NSA 937 901 M 20 06	8559 E 20 06 B
NSA 937 901 M 20 07	8559 E 20 07 B
NSA 937 901 M 20 08	8559 E 20 08 B
NSA 937 901 M 20 09	8559 E 20 09 B
NSA 937 901 M 20 11	8559 E 20 11 B
NSA 937 901 RB 2000	8559 RB 2000 A
NSA 937 901 S	8559 S
NSA 937 910-EA 2200	8559-122
NSA 937 910-EA 2000	8559-120



8559 Series

Contact layouts

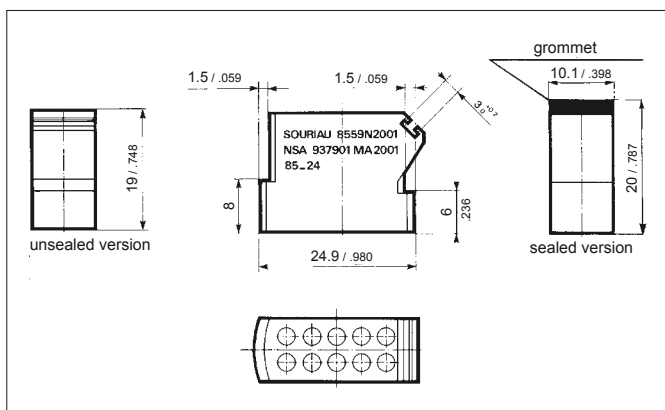
contact size						
	01	02	03	04	05	06
22						
	01	02	03	04	05	06
20						
	01	02	03	04	06	07
20						
	08	09	11			

Contacts

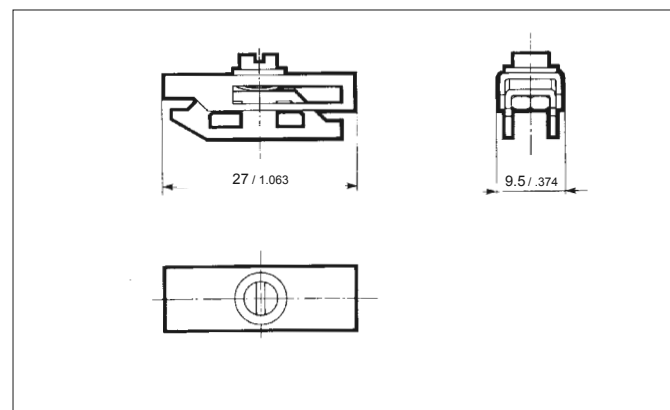
contact size	part numbers	admissible wire section		Ø over insulator (mm)		profile
		mm ²	AWG	min.	Max.	
22	8559-122	0.15	26	0.75	1.09	
		0.25	24	.0295	.0429	
		0.40	22			
20	8559-120	0.25	24	0.85	1.59	
		0.40	22	.0334	.0625	
		0.60	20			
		1.00	18			

Dimensions

Module



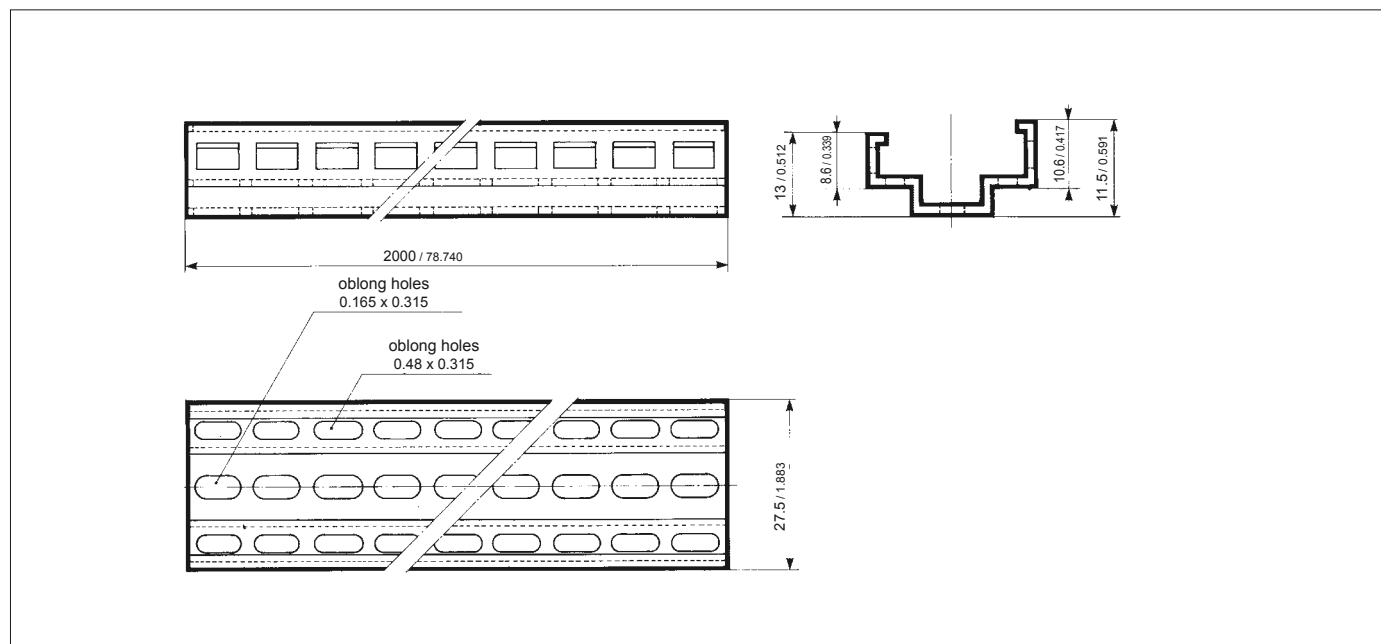
Module clamp





8559 Series

Rail profile



Tooling

Crimping

contact size	wire sizes		crimping plier	locator
	mm ²	AWG		
22	0.15	26	8476-01 (M22520/2-01)	8572-30A
	0.25	24		
	0.40	22		
20	0.25	24	8365 (M22520/1-01)	8365-02 (M22520/1-02)
	0.40	22		
	0.60	20		
	1.00	18		

Insertion and extraction of wired contacts

contact size	part numbers		insertion	colour	extraction
	spec.	Souriau			
22	M81969.14.01	8599-0022	green		white
	MS27534-22D				
20	M81969.14.11	8522-20	red		white
	MS27534-20				

Filler plugs

contact size	part numbers		colour
	spec.	Souriau	
22	MS27488-22	8660-212	black
20	MS27488-20	8522-389A	red