



895 Series

Applications

Power supply for pylon/engine nacelle electrical interface. High power applications (260 A)

Standards

Aerospatiale
N° 462062/89



Description

- Screw coupling with self locking system
- Power crimp contacts size 4/0 gold plated.

Characteristics

Mechanical

- Shell : steel
- Plating : yellow cadmium
- Insulator : thermoset
- Grommet and seal : elastomer
- Contact : copper alloy
- Plating : gold
- Endurance :
500 mating/unmating operations
- Shock :
300 g / during 3 ms / 3 directions
- Vibration :
random 100 to 2000 Hz - 1G2/Hz

Electrical

- Test voltage : 1500 Vrms
- Contact resistance : < 0.23 mΩ
- Insulation resistance : ≥ 5000 MΩ
- Contact rating : 260 A to 120°C

Climatic

- Temperature range : -65°C + 200°C
- Fire resistance and flammability :
to pr EN 2591
- Sealing : low air pressure - 15000 m
- Salt spray : 48 hours
- Damp heat : 10 cycles / 24 hours

MIL- H 5606	MIL-L 7808
MIL- L 7870A	MIL-A 8243
MIL- L 23699	MIL-C 25769
JP5 - skydrol 500 B4	
- skydrol LD4	
Coolanol - Chlorobromethane	

Ordering information

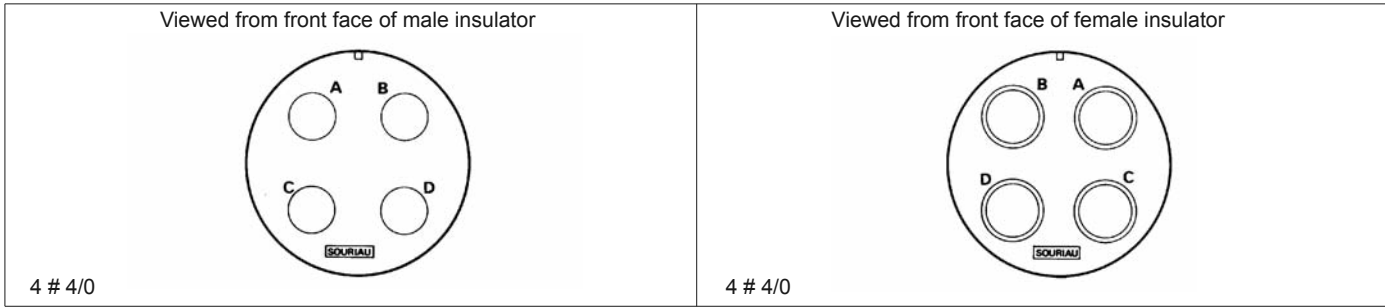
basic series	895 00 K 48 35 P N •
shell type	00 - square flange receptacle 26 - self locking plug
class	K - fire resistant
shell size	48
contact layout	35
contact type	P - male S - female
orientation	N - normal - connector supplied with contact without specification L - connector supplied without contact

FCI Souriau part numbers	AEROSPATIALE part numbers
895 00K 48-35 PN	ASN-E 0098 A 48-35 P
895 00K 48-35 SN	ASN-E 0098 A 48-35 S
895 00K 48-35 PLN	—
895 00K 48-35 SNL	—
895 26K 48-35 PN	ASN-E 0378 A 48-35 P
895 26K 48-35 SN	ASN-E 0378 A 48-35 S
895 26K 48-35 PNL	—
895 26K 48-35 SNL	—



895 Series

Contact layout

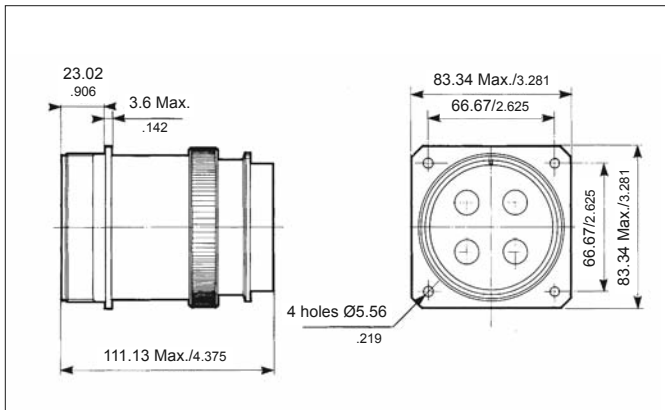


Contacts

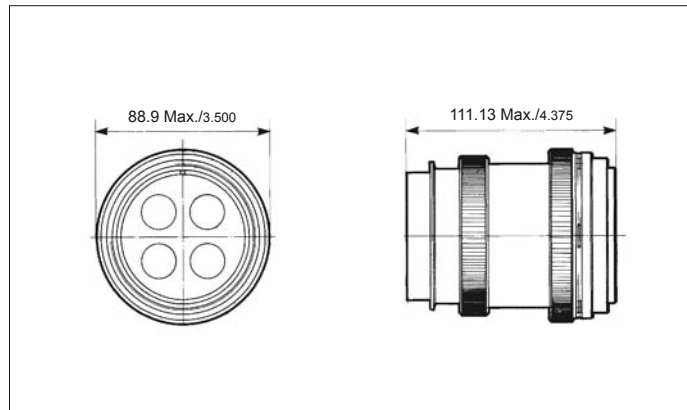
contact size	contact type	contact Ømm	part numbers	admissible wire section AWG	external Ø over insulation		profile
					min.	Max.	
4/0	male	12.7 .5	8950-5883 NSA 938182 PT 4010	2/0	13.6 .535	14.5 .570	
	female		8950-6022 NSA 938183 ST 4010				

Dimensions

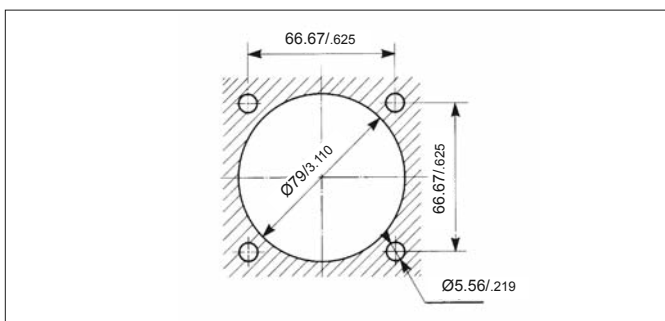
Receptacle type 00



Plug type 26



Panel cut-out



Tooling

contact size	Barrel size AWG	crimping tool	head	locator
4/0	2/0	M22520/23-01	M22520/23-07	M22520/23-16

Cable stripping
 L min : 22.86 / Max : 27.94
 .900 1.100