



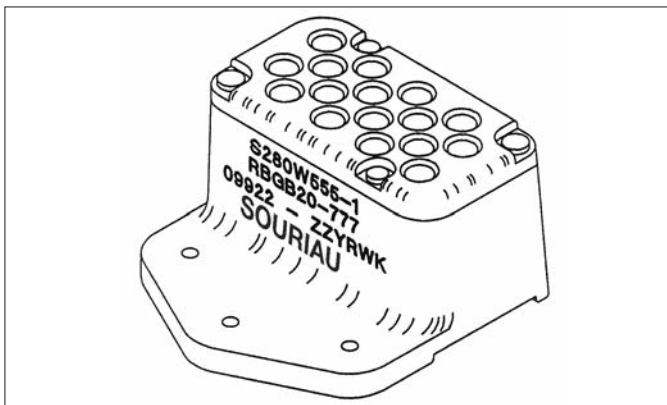
RB Modules

Rack & panel and right angle mounting ground blocks and program switch module

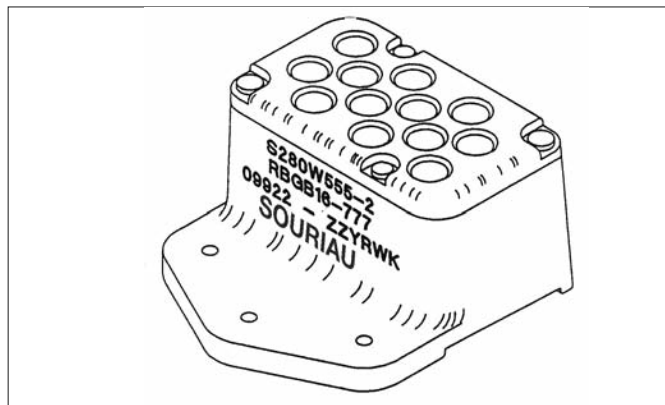
Souriau Part number	Boeing Part number	Description
RBGP16-1		Rack and panel mounting ground block
RBGP48-1		Rack and panel mounting ground block
RBGP104-1		Rack and panel mounting ground block
RBGS16-1	S280W555-401	Right angle mounting ground shelf strip
RBGS32-1	S280W555-402	Right angle mounting ground shelf strip
RBDSC-1		Program switch module
RBGP48-116N	S280W601-116	Module

Ground block assembly

P/N RBGB 20-777

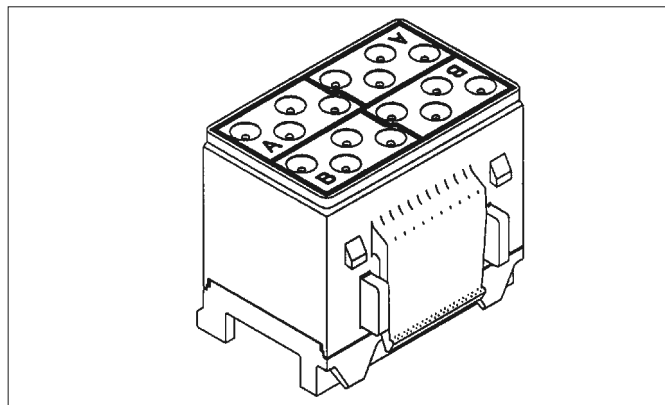
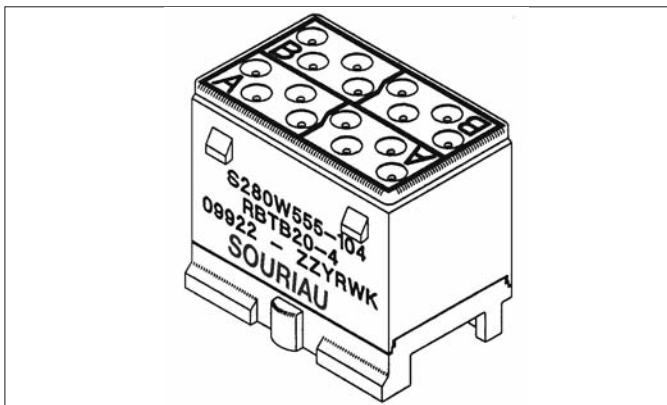


P/N RBG 16-777



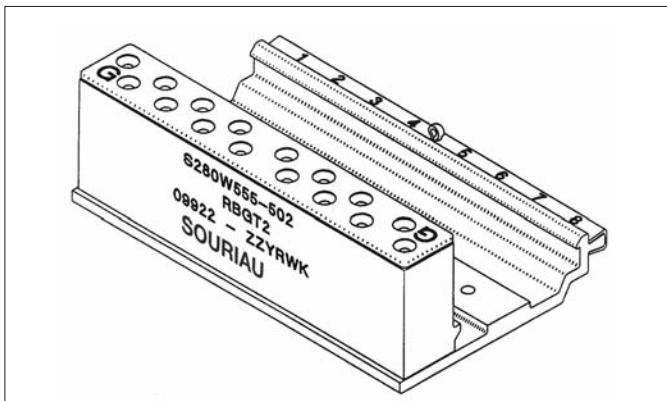
Feedback module

P/N RBTB 20-4



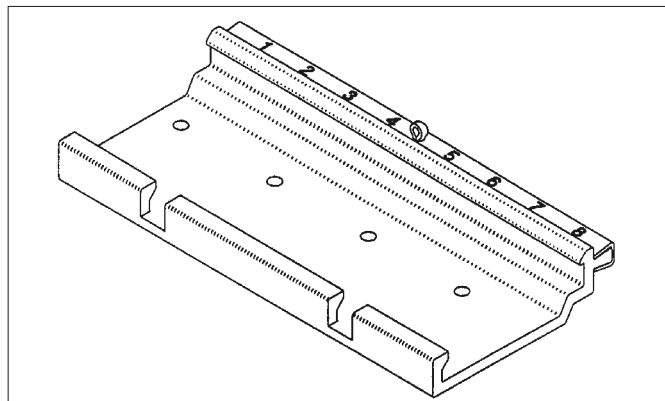
Grounding track assembly

P/N RBGT 2



Mounting track assembly

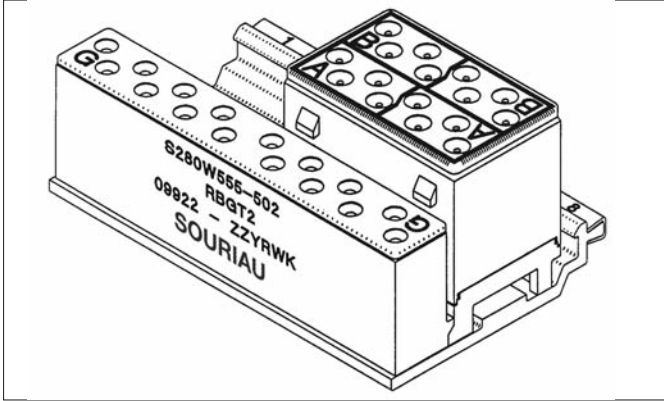
RBM T 2



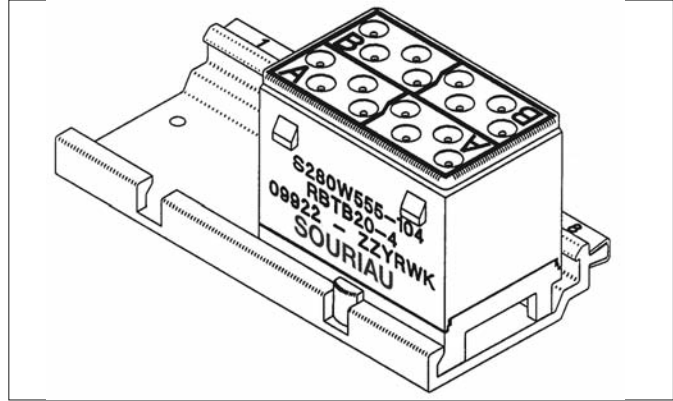


RB Modules

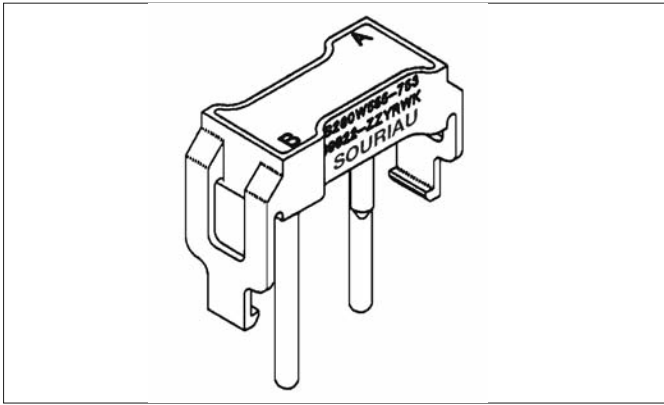
Feedback module mounted in grounding track
RBG T2 / RBT B 20 - 4



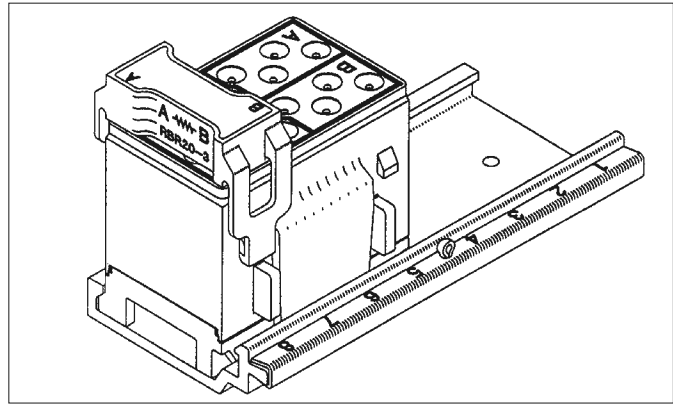
Feedback module mounted in mounting track
RBM T 2 / RB T B 20 - 4



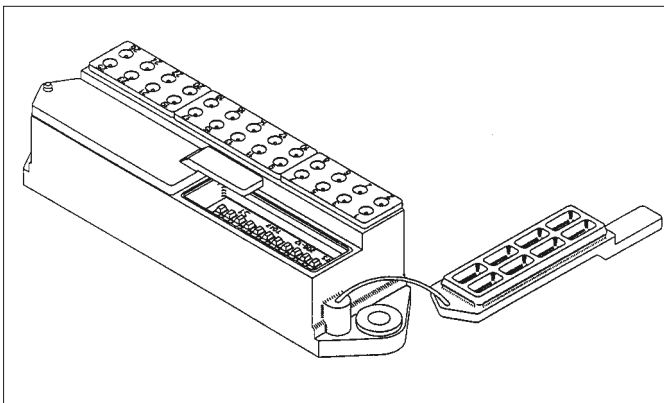
Diode / resistor module assembly
RBD 20 - 3



Feedback module mounted in track with resistor module
RBM T 2 / RBR 20 - 3 / RBT B 20 - 4



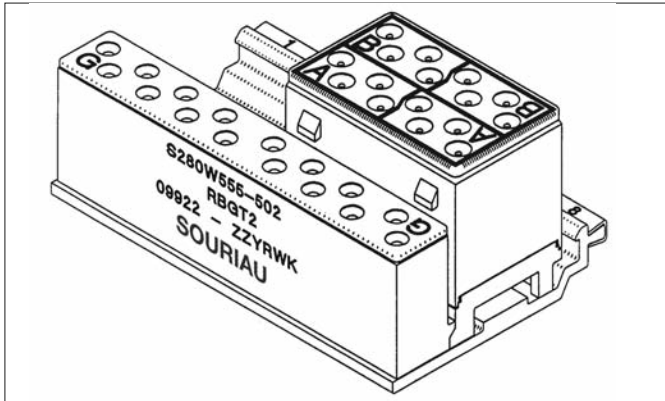
Program switch module
RBDSC - 1



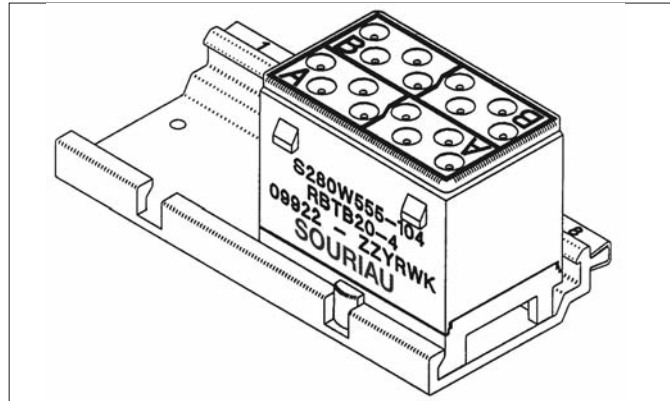


RB Modules

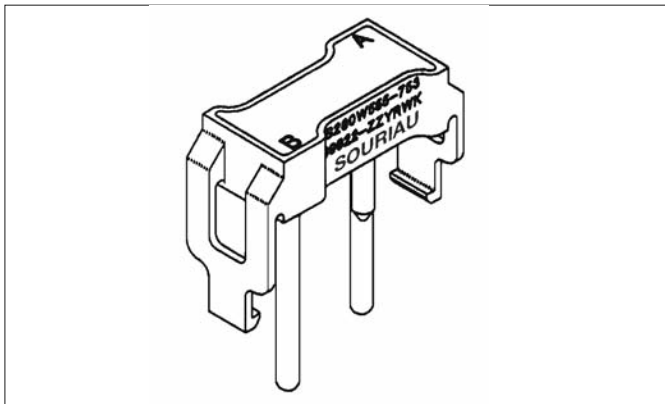
Feedback module mounted in grounding track
RBG T2 / RBT B 20 - 4



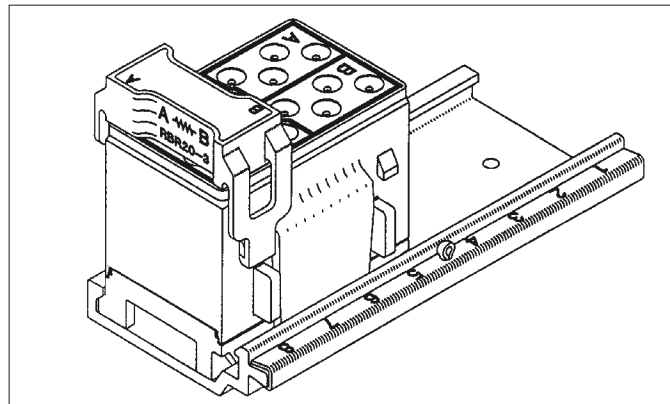
Feedback module mounted in mounting track
RBM T 2 / RB T B 20 - 4



Diode / resistor module assembly
RBD 20 - 3



Feedback module mounted in track with resistor module
RBM T 2 / RBR 20 - 3 / RBT B 20 - 4



Program switch module
RBDSC - 1

