



Re-usable fixing-plates

Four-hole self-locking fixing-plates



Characteristics

SN 201 F - ** - *

- **Material:** aluminum alloy
- **Protection:** anodizing
black: ISO thread
yellow: SI thread
green: UNJC thread
- **Locking:** teflon locking pins

Product series number	SN 201F	**	*
Size (see table)			
Type of thread	N = ISO thread (Black) J = SI thread (Yellow) V = UNJC thread, class 3B (Green)		



Characteristics

SN 1252 - ** - N

- **Material:** aluminum alloy
- **Protection:** black anodized
- **Thread:** ISO
- **Locking:** stainless steel screw lock

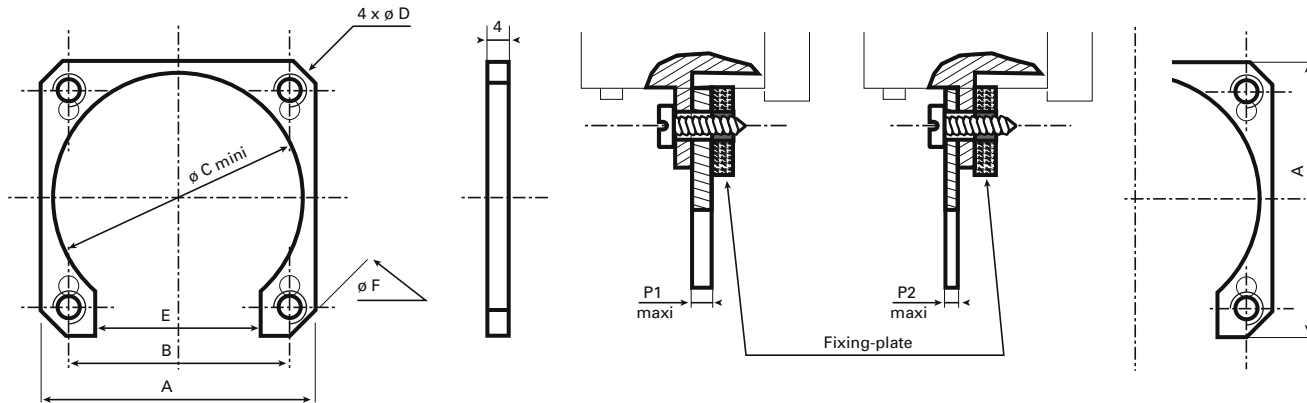
Product series number	SN 1252	**	N
Size (see table)			
Plating (black anodized)			



Re-usable fixing-plates

Four-hole self-locking fixing-plates

Dimensions: SN 201 F



SN 201 F - ** - *

SIZE / TYPE			P1	P2	A	B	ø C	ø D			E	ø F	Weight in grams	Fixing-plates size
MIL DTL 38999	MIL.C 81703	MIL. C 26482 G MIL. C 83723 NFL 54143						ISO	SI	UNJC				
08		08	5	2.8	21	15.1	15.2	M3	3	4-40	7	27.3	2.1	08
10	07	10	5	2.8	25.4	18.3	19.5	M3	3	4-40	10	32	2.8	10
12	12	12	5	2.8	27.8	20.6	22.7	M3	3	4-40	13	35.3	2.8	12
14	19	14	5	2.8	30.2	23	26	M3	3	4-40	14	38.6	3.1	14
16	27	16	5	2.8	32.5	24.6	28.5	M3	3	4-40	16	40.8	3.7	16
18		18	5	2.8	35.1	27	31.1	M3	3	4-40	18	44.7	3.8	18
20		20	5	5.4	39	29.4	34	M3	3	4-40	20	49.1	4.2	20
22		22	5	5.4	42.3	31.7	37.3	M3	3	4-40	23	53.1	5	22
24		24	5	5.4	45.5	34.9	40.5	M3.5	3.5	6-32	26	57.3	5.7	24
		243	5	5.4	45.5	34.9	40.5	M3			26	57.3	5.7	243
	37		5	5.4	36.5	30.1	33.6	M3	3	4-40	21	48.5	4.0	37
	61		5	5.4	45.2	36.5	41.6	M3	3	4-40	28	59.4	5.1	61

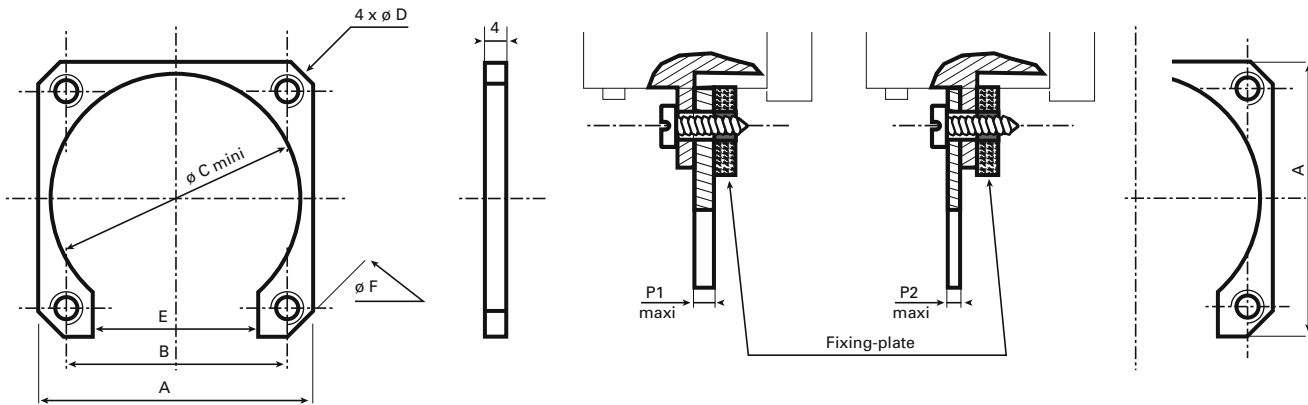
Dimensions are in millimeters



Re-usable fixing-plates

Four-hole self-locking fixing-plates

Dimensions: SN 1252



SN 1252 - ** - N

SIZE / TYPE			P1	P2	A	B	ø C	ø D			E	ø F	Weight in grams	Fixing-plates size
MIL. DTL 38999	MIL. C 81703	MIL. C 26482 G MIL. C 83723 NFL 54143						ISO	SI	UNJC				
08		08	5	2.8	21	15.1	15.2	M3	3	4-40	7	27.3	2.1	08
10	07	10	5	2.8	25.4	18.3	19.5	M3	3	4-40	10	32	2.8	10
12	12	12	5	2.8	27.8	20.6	22.7	M3	3	4-40	13	35.3	2.8	12
14	19	14	5	2.8	30.2	23	26	M3	3	4-40	14	38.6	3.1	14
16	27	16	5	2.8	32.5	24.6	28.5	M3	3	4-40	16	40.8	3.7	16
18		18	5	2.8	35.1	27	31.1	M3	3	4-40	18	44.7	3.8	18
20		20	5	5.4	39	29.4	34	M3	3	4-40	20	49.1	4.2	20
22		22	5	5.4	42.3	31.7	37.3	M3	3	4-40	23	53.1	5	22
24		24	5	5.4	45.5	34.9	40.5	M3.5	3.5	6-32	26	57.3	5.7	24
		243	5	5.4	45.5	34.9	40.5	M3			26	57.3	5.7	243
	37		5	5.4	36.5	30.1	33.6	M3	3	4-40	21	48.5	4.0	37
	61		5	5.4	45.2	36.5	41.6	M3	3	4-40	28	59.4	5.1	61

Dimensions are in millimeters



Re-usable fixing-plates

Three-hole self-locking fixing-plates



Characteristics

SN 1083 - ** - *

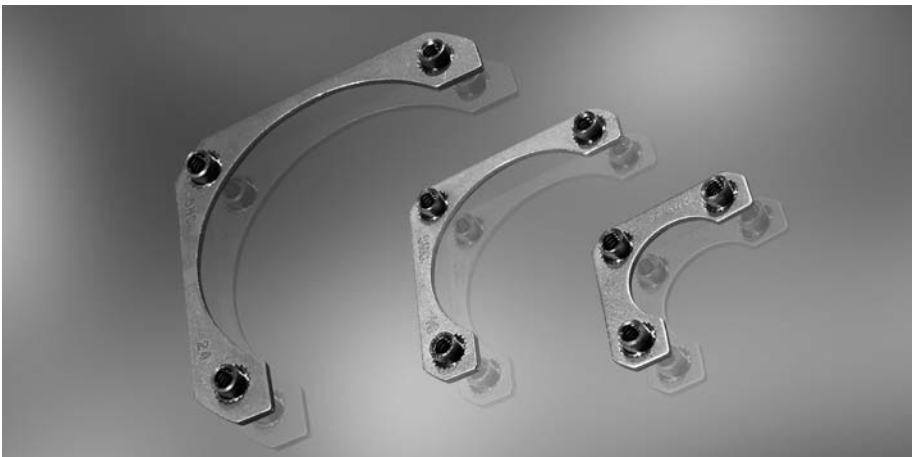
- **Material:** aluminum alloy
- **Protection:** anodizing
black: ISO thread
yellow: SI thread
green: UNJC thread
- **Locking:** helicoil locking nut

Product series number

SN 1083

Size (see table)

Type of thread N = ISO thread (Black)
J = SI thread (Yellow)
V = UNJC thread, class 3B (Green)



Characteristics

SN 1862 - 3 - ** - V - A - I

- **Material:** aluminum alloy
- **Protection:** anodizing
- **Thread:** UNJC
- **Locking:** stainless steel screw lock

Product series number

SN 1862

3

V

A

I

Three holes

Size (see table)

Type of thread 4.40 UNJC thread, class 3B (possibility to consult us on other type of thread)

Fixing-plate thickness 1 mm

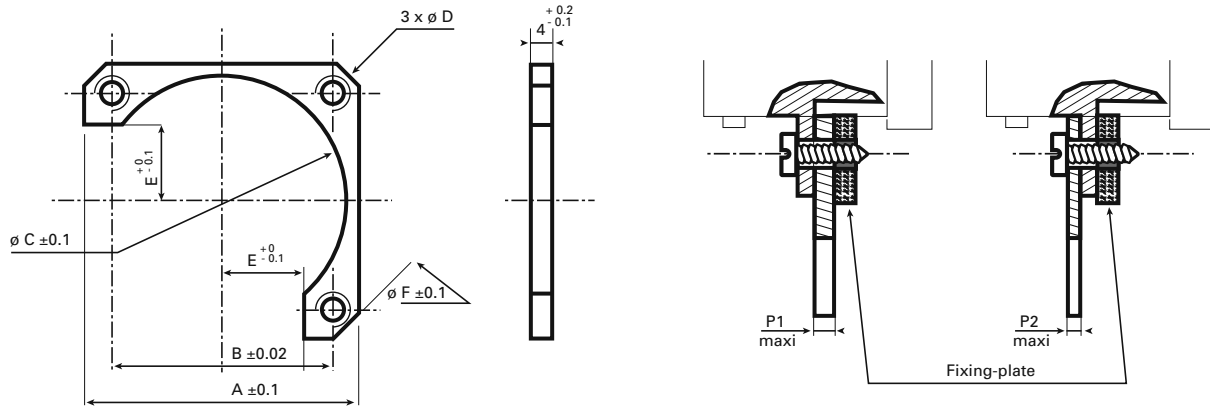
Stainless steel nut



Re-usable fixing-plates

Three-hole self-locking fixing-plates

Dimensions: SN 1083



SN 1083 - ** - *

SIZE / TYPE			P1	P2	A	B	ø C	ø D			E	ø F	Weight in grams	Fixing-plates size
MIL. C 26482 G MIL. C 83723 NFL 54143	MIL. C 81703	MIL DTL 38999						ISO	SI	UNJC				
08		08	5	2.8	21	15.1	15.2	M3	3	4-40	4.5	27.3	1.6	08
10	07	10	9	2.8	25.4	18.3	19.5	M3	3	4-40	5.5	32	2.1	10
12	12	12	5	2.8	27.8	20.6	22.7	M3	3	4-40	6.6	35.3	2.2	12
14	19	14	5	2.8	30.2	23	26	M3	3	4-40	7.8	38.6	2.3	14
16	27	16	5	2.8	32.5	24.6	28.5	M3	3	4-40	8.2	40.8	2.4	16
18		18	5	2.8	35.1	27	31.1	M3	3	4-40	9.3	44.7	2.7	18
20		20	5	5.4	39	29.4	34	M3	3	4-40	9.8	49.2	4.2	20
22		22	5	5.4	42.3	31.7	37.3	M3	3	4-40	10.4	53.1	4.2	22
24		24	5	5.4	45.5	34.9	40.5	M3.5	3.5	6-32	12	57.3	4.3	24
24			5	5.4	45.5	34.9	40.5	M3	3	4-40	12	57.3	4.3	243
	37		5	5.4	36.5	30.1	33.6	M3	3	4-40	11.7	48.5	2.7	37
	61		5	5.4	45.2	36.5	41.6	M3	3	4-40	13.8	52.4	4.3	61

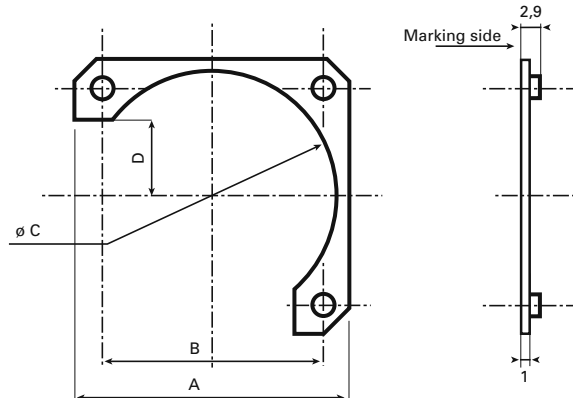
Dimensions are in millimeters



Re-usable fixing-plates

Three-hole self-locking fixing-plates

Dimensions: SN 1862



SN 1862 - 3 - ** - V - A - I

SHELL / SIZE	A ± 0.3	B ± 0.05	ø C C ± 0.3	D ± 0.2	Weight in grams
08	22.5	15.1	14.4	3.91	1
10	25.4	18.3	18.4	5.30	1.05
12	27.8	20.6	22.2	6.68	1.05
14	30.2	23	25.4	7.88	1.09
16	30.5	24.6	27.6	8.68	1.17
18	35.7	27	31.1	9.85	1.24
20	39	29.4	34.5	10.31	1.33
22	42.3	31.75	37.8	11.50	1.44
24	45.5	34.9	41	12.70	1.39

Dimensions are in millimeters



Re-usable fixing-plates

Two-hole self-locking fixing-plates

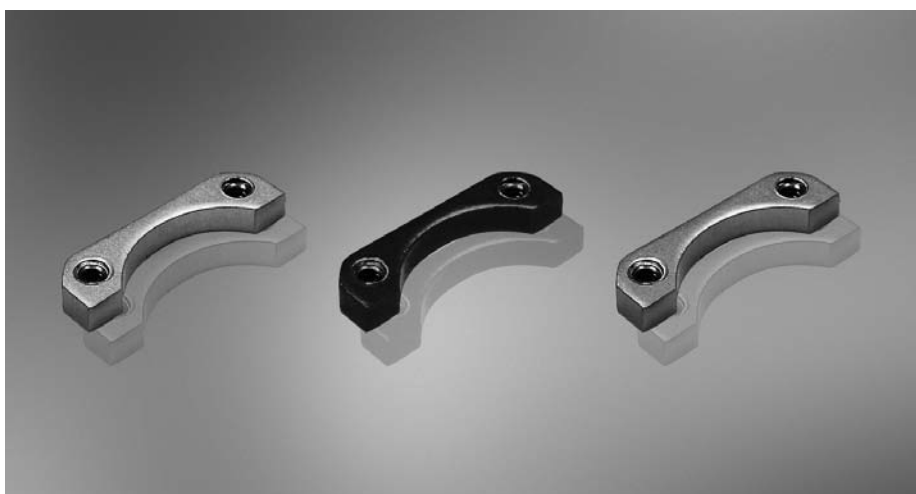


Characteristics

SN 1862 - 2 - ** - V - A

- **Material:** aluminum alloy
- **Protection:** anodizing
- **Thread:** UNJC
- **Locking:** self-locking nut

Product series number	SN 1862	2	**	V	A
Two-hole					
Size (see table)					
Type of thread	4.40 UNJC thread, class 3B (possibility to consult us on other type of thread)				
Nut	Stainlers steel				



Characteristics

N 1252 - 2 - ** - N

- **Material:** aluminum alloy
- **Protection:** black anodized
- **Thread:** ISO
- **Locking:** Helicoil locking nut

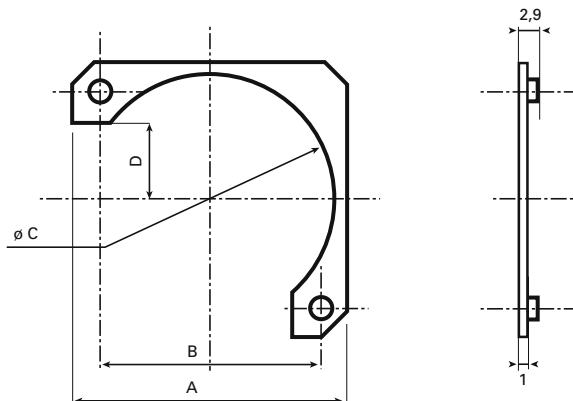
Product series number	SN 1252	2	**	N
Two-hole				
Size (see table)				
Plating (black anodized)				



Re-usable fixing-plates

Two-hole self-locking fixing-plates

Dimensions: SN 1862



SN 1862 - 2 - ** - V - A

SHELL / SIZE	A \pm 0.3	B \pm 0.05	\varnothing C C \pm 0.3	D \pm 0.2	Weight in grams
08	22.5	15.1	14.4	3.91	0.80
10	25.4	18.3	18.4	5.30	0.87
12	27.8	20.6	22.2	6.68	0.88
14	30.2	23	25.4	7.88	0.91
16	30.5	24.6	27.6	8.68	0.96
18	35.7	27	31.1	9.85	1.06
20	39	29.4	34.5	10.31	1.15
22	42.3	31.75	37.8	11.50	1.26
24	45.5	34.9	41	12.70	1.41

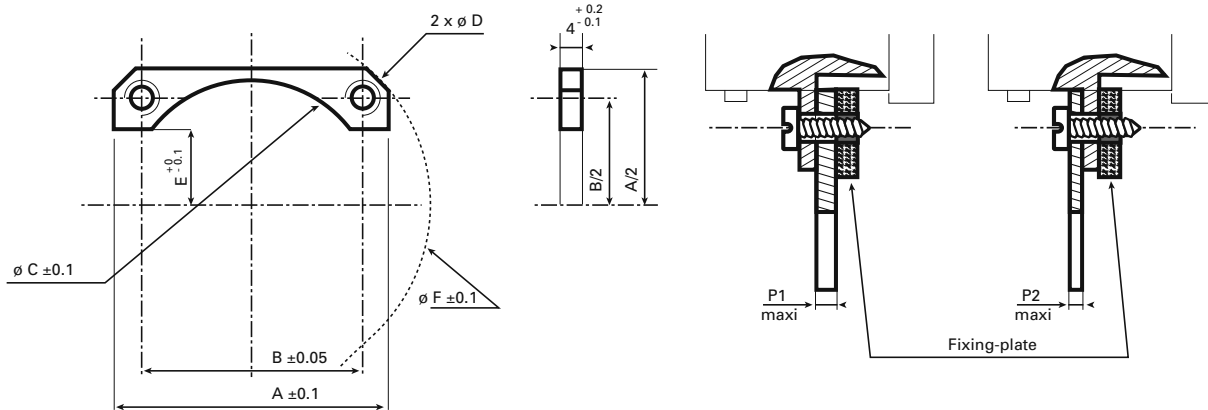
Dimensions are in millimeters



Re-usable fixing-plates

Two-hole self-locking fixing-plates

Dimensions: SN 1252



SN 1252 - 2 - ** - N

SIZE / TYPE			P1	P2	A	B	ø C	ø D	E	ø F	Weight in grams	Fixing-plates size
ME 310 MAS 1599 PXL 54125	DS ADS DBAS	MIL DTL 38999										
08		08	5	2.8	21	15.1	15.2	M3	4.5	27.3	0.9	08
10	07	10	5	2.8	25.4	18.3	19.5	M3	3	32	1.2	10
12	12	12	5	2.8	27.8	20.6	22.7	M3	3	35.3	1.3	12
14	19	14	5	2.8	30.2	23	26	M3	3	38.6	1.3	14
16	27	16	5	2.8	32.5	24.6	28.5	M3	3	40.8	1.4	16
18		18	5	2.8	35.1	27	31.1	M3	3	44.7	1.65	18
20		20	5	5.4	39	29.4	34	M3	3	49.2	2.2	20
22		22	5	5.4	42.3	31.7	37.3	M3	3	53.1	2.5	22
24		24	5	5.4	45.5	34.9	40.5	M3.5	3.5	57.3	2.65	24
24			5	5.4	45.5	34.9	40.5	M3	3	57.3	2.65	243

Size 20 = standard, other sizes on request

Dimensions are in millimeters

