

DuraLock

RUGGED HYBRID CONNECTORS

A REVERSE BAYONET COUPLING

DESIGNED AROUND

MIL-DTL-38999 INSERT ARRANGEMENTS

SCPB39 SERIES



- ▶ Uses M39029 Contacts & Tools
- ▶ Uses M85049 Accessories
- ▶ Coupling provides a positive lock with an audible "Click" in 1/3 turn of the coupling nut
- ▶ Same footprint as MIL-STD-38999 Series III Square Flange Receptacle Shells & Plugs
- ▶ EMI/RFI Shell-to-Shell Grounding



SCPB39 SERIES

MIL-DTL-38999 SERIES III REVERSE BAYONET COUPLING ORDERING INFORMATION

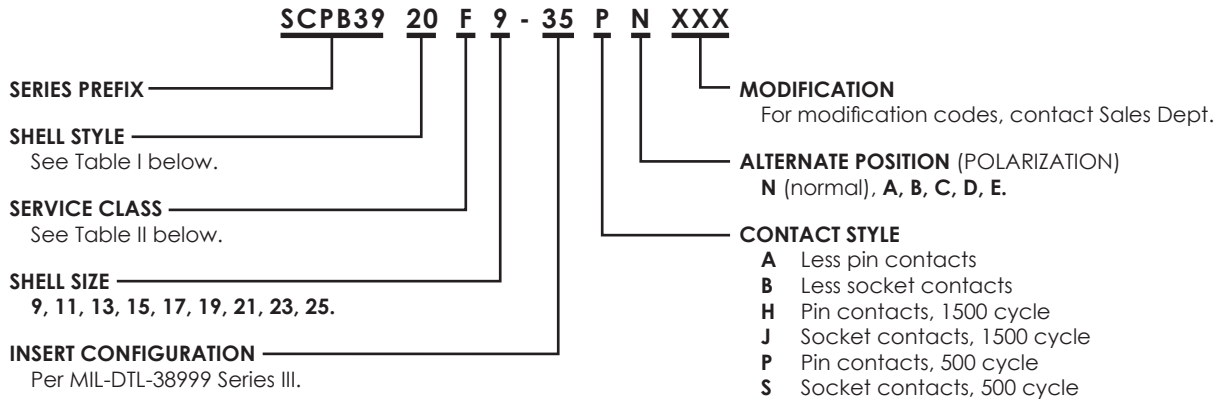


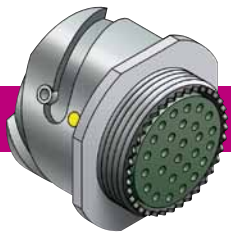
TABLE I. SHELL STYLE

PREFIX & SHELL STYLE	DESCRIPTION	AVAILABLE IN CLASS
SCPB3901	In-line receptacle	C, F, L, S, T, W, Z
SCPB3920	Wall mount receptacle	C, F, L, S, T, W, Z
SCPB3924	Jam nut receptacle	C, F, L, S, T, W, Z
SCPB3926	Straight plug, self-locking	C, F, L, S, T, W, Z

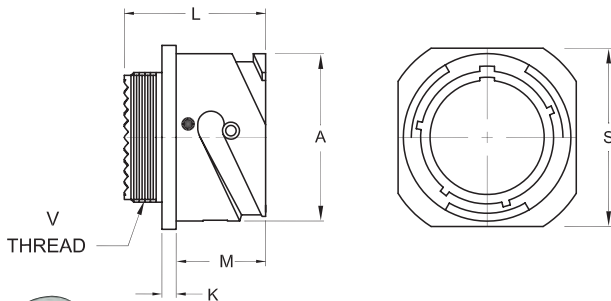
TABLE II. CLASS

CLASS	CLASS†	DESCRIPTION	MATERIAL	FINISH	TEMPERATURE
C	SVC	Environmental	Aluminum	Non-conductive anodize, black	-65° to 200°C
F	SVF	Environmental	Aluminum	Electroless nickel	-65° to 200°C
L	SVL	Environmental	Stainless Steel	Electrodeposited nickel	-65° to 200°C
S	SVS	Environmental	Stainless Steel	Passivated	-65° to 200°C
T	SVT	Environmental	Aluminum	Nickel fluorocarbon polymer	-65° to 175°C
W	SVW	Environmental	Aluminum	Cadmium olive drab 500 hr. salt spray	-65° to 175°C
X	SVX	Environmental	Aluminum	Zinc cobalt	-65° to 175°C
Y	SVY	Environmental	Aluminum	Zinc cobalt, black	-65° to 175°C
Z	SVZ	Environmental	Aluminum	Zinc nickel, black, 500 hr.	-65° to 175°C

† Integrated Backshell (not illustrated).

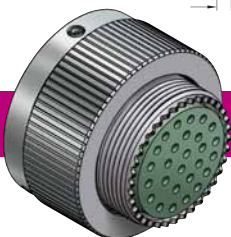


SCPB3901 IN-LINE RECEPTACLE

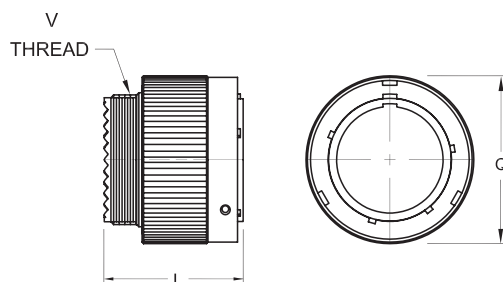


SHELL SIZE	A +0.00/+0.000 -0.15/-0.000	K +0.38/+0.015 -0.00/-0.000	L MAX	M +0.38/+0.015 -0.00/-0.000	S ±0.30/+0.012	V THREADS
9	18.20/ 0.717	2.11/ 0.083	31.50/ 1.240	20.45/ 0.805	18.42/ 0.725	M12 x 1-6g
11	21.16/ 0.833	2.11/ 0.083	31.50/ 1.240	20.45/ 0.805	21.34/ 0.840	M15 x 1-6g
13	24.60/ 0.969	2.11/ 0.083	31.50/ 1.240	20.45/ 0.805	24.77/ 0.975	M18 x 1-6g
15	27.40/ 1.070	2.11/ 0.083	31.50/ 1.240	20.45/ 0.805	27.58/ 1.086	M22 x 1-6g
17	30.80/ 1.213	2.11/ 0.083	31.50/ 1.240	20.45/ 0.805	30.99/ 1.220	M25 x 1-6g
19	34.20/ 1.346	2.11/ 0.083	31.50/ 1.240	20.45/ 0.805	34.29/ 1.350	M28 x 1-6g
21	37.40/ 1.472	2.11/ 0.083	31.50/ 1.240	20.45/ 0.805	37.59/ 1.480	M31 x 1-6g
23	40.90/ 1.610	2.11/ 0.083	31.50/ 1.240	20.45/ 0.805	41.02/ 1.615	M34 x 1-6g
25	46.70/ 1.839	2.11/ 0.083	31.50/ 1.240	20.45/ 0.805	46.86/ 1.845	M37 x 1-6g

DIMENSIONS IN *ITALICS* ARE INCHES.



SCPB3926 STRAIGHT PLUG

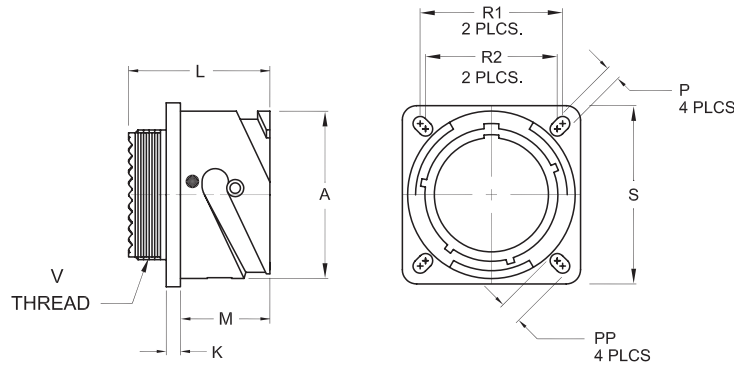
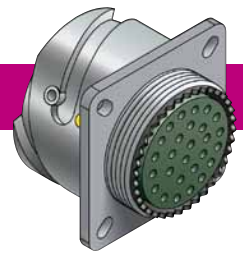


SHELL SIZE	Q MAX	L MAX	V THREADS
9	22.80/ 0.898	31.50/ 1.240	M12 x 1-6g
11	25.90/ 1.020	31.50/ 1.240	M15 x 1-6g
13	29.21/ 1.150	31.50/ 1.240	M18 x 1-6g
15	33.00/ 1.299	31.50/ 1.240	M22 x 1-6g
17	36.50/ 1.437	31.50/ 1.240	M25 x 1-6g
19	39.90/ 1.571	31.50/ 1.240	M28 x 1-6g
21	43.10/ 1.697	31.50/ 1.240	M31 x 1-6g
23	46.60/ 1.835	31.50/ 1.240	M34 x 1-6g
25	53.40/ 2.102	31.50/ 1.240	M37 x 1-6g

DIMENSIONS IN *ITALICS* ARE INCHES.

SCPB3920

WALL MOUNT RECEPTACLE

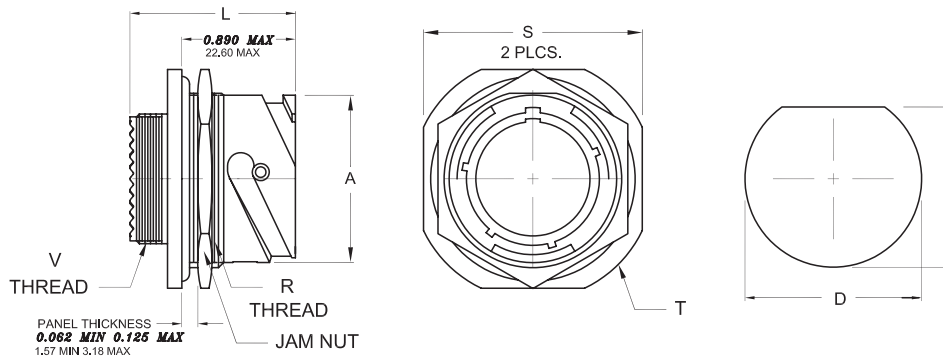


SHELL SIZE	A +0.00/+0.000 -0.15/-0.006	K +0.38/+0.015 -0.00/-0.000	L MAX	M +0.38/+0.015 -0.00/-0.000	P ±0.20/±.008	PP ±0.20/±.005	R1	R2	S ±0.30/±.012	V THREADS
9	18.20/ <i>0.717</i>	2.11/ <i>0.083</i>	31.50/ <i>1.240</i>	20.45/ <i>0.805</i>	3.25/ <i>0.128</i>	5.49/ <i>0.216</i>	18.26/ <i>0.719</i>	15.09/ <i>0.594</i>	23.80/ <i>0.937</i>	M12 x 1-6g
11	21.16/ <i>0.833</i>	2.11/ <i>0.083</i>	31.50/ <i>1.240</i>	20.45/ <i>0.805</i>	3.25/ <i>0.128</i>	4.93/ <i>0.194</i>	20.62/ <i>0.812</i>	18.26/ <i>0.719</i>	26.20/ <i>1.031</i>	M15 x 1-6g
13	24.60/ <i>0.969</i>	2.11/ <i>0.083</i>	31.50/ <i>1.240</i>	20.45/ <i>0.805</i>	3.25/ <i>0.128</i>	4.93/ <i>0.194</i>	23.01/ <i>0.906</i>	20.02/ <i>0.812</i>	28.60/ <i>1.126</i>	M18 x 1-6g
15	27.40/ <i>1.079</i>	2.11/ <i>0.083</i>	31.50/ <i>1.240</i>	20.45/ <i>0.805</i>	3.25/ <i>0.128</i>	4.93/ <i>0.194</i>	24.61/ <i>0.969</i>	23.01/ <i>0.906</i>	31.00/ <i>1.220</i>	M22 x 1-6g
17	30.80/ <i>1.213</i>	2.11/ <i>0.083</i>	31.50/ <i>1.240</i>	20.45/ <i>0.805</i>	3.25/ <i>0.128</i>	4.93/ <i>0.194</i>	20.07/ <i>1.062</i>	24.61/ <i>0.969</i>	33.30/ <i>1.311</i>	M25 x 1-6g
19	34.20/ <i>1.346</i>	2.11/ <i>0.083</i>	31.50/ <i>1.240</i>	20.45/ <i>0.805</i>	3.25/ <i>0.128</i>	4.93/ <i>0.194</i>	29.36/ <i>1.156</i>	20.97/ <i>1.062</i>	30.50/ <i>1.437</i>	M28 x 1-6g
21	37.40/ <i>1.472</i>	2.11/ <i>0.083</i>	31.50/ <i>1.240</i>	20.45/ <i>0.805</i>	3.25/ <i>0.128</i>	4.93/ <i>0.194</i>	31.75/ <i>1.250</i>	29.36/ <i>1.156</i>	39.70/ <i>1.563</i>	M31 x 1-6g
23	40.90/ <i>1.610</i>	2.11/ <i>0.083</i>	31.50/ <i>1.240</i>	20.45/ <i>0.805</i>	3.91/ <i>0.154</i>	6.15/ <i>0.242</i>	34.93/ <i>1.375</i>	31.75/ <i>1.250</i>	42.90/ <i>1.689</i>	M34 x 1-6g
25	46.70/ <i>1.839</i>	2.11/ <i>0.083</i>	31.50/ <i>1.240</i>	20.45/ <i>0.805</i>	3.91/ <i>0.154</i>	6.15/ <i>0.242</i>	38.10/ <i>1.500</i>	34.93/ <i>1.375</i>	46.00/ <i>1.811</i>	M37 x 1-6g

DIMENSIONS IN *ITALICS* ARE INCHES.

SCPB3924

JAM NUT RECEPTACLE*



SHELL SIZE	A +0.00/+0.000 -0.15/-0.006	K +0.90/+0.035 -0.10/-0.004	L MAX	R THREADS	S ±0.40/±.016	T ±0.30/±.011	V THREADS	JAM NUT	D +0.25/±.010 -0.00/-0.000	E +0.00/+0.000 -0.25/-0.010
9	18.20/ <i>0.717</i>	2.21/ <i>0.067</i>	32.51/ <i>1.260</i>	M20 x 1-6g	31.80/ <i>1.252</i>	34.90/ <i>1.374</i>	M12 x 1-6g	D38999/28-2	20.96/ <i>0.825</i>	19.59/ <i>0.771</i>
11	21.16/ <i>0.833</i>	2.21/ <i>0.087</i>	32.51/ <i>1.280</i>	M25 x 1-6g	34.90/ <i>1.374</i>	38.10/ <i>1.500</i>	M15 x 1-6g	D38999/28-3	25.65/ <i>1.010</i>	24.26/ <i>0.955</i>
13	24.60/ <i>0.969</i>	2.21/ <i>0.067</i>	32.51/ <i>1.260</i>	M28 x 1-6g	38.10/ <i>1.500</i>	41.30/ <i>1.626</i>	M18 x 1-6g	D38999/28-4	28.83/ <i>1.135</i>	27.56/ <i>1.085</i>
15	27.40/ <i>1.079</i>	2.21/ <i>0.087</i>	32.51/ <i>1.280</i>	M32 x 1-6g	41.30/ <i>1.626</i>	44.50/ <i>1.752</i>	M22 x 1-6g	D38999/28-6	32.01/ <i>1.260</i>	30.73/ <i>1.210</i>
17	30.80/ <i>1.213</i>	2.21/ <i>0.087</i>	32.51/ <i>1.280</i>	M35 x 1-6g	46.00/ <i>1.811</i>	49.20/ <i>1.937</i>	M25 x 1-6g	D38999/28-8	35.18/ <i>1.385</i>	33.91/ <i>1.335</i>
19	34.20/ <i>1.346</i>	3.00/ <i>0.118</i>	32.51/ <i>1.280</i>	M38 x 1-6g	49.20/ <i>1.937</i>	52.40/ <i>2.063</i>	M28 x 1-6g	D38999/28-9	38.35/ <i>1.510</i>	37.08/ <i>1.460</i>
21	37.40/ <i>1.472</i>	3.00/ <i>0.118</i>	32.51/ <i>1.280</i>	M41 x 1-6g	52.40/ <i>2.063</i>	55.60/ <i>2.189</i>	M31 x 1-6g	D38999/28-10	41.53/ <i>1.635</i>	40.26/ <i>1.585</i>
23	40.90/ <i>1.610</i>	3.00/ <i>0.118</i>	32.51/ <i>1.280</i>	M44 x 1-6g	55.60/ <i>2.189</i>	58.70/ <i>2.311</i>	M34 x 1-6g	D38999/28-11	44.70/ <i>1.760</i>	43.43/ <i>1.710</i>
25	46.70/ <i>1.839</i>	3.00/ <i>0.118</i>	32.51/ <i>1.280</i>	M50 x 1-6g	61.70/ <i>2.429</i>	64.80/ <i>2.551</i>	M37 x 1-6g	SC99928-12	50.70/ <i>1.996</i>	49.43/ <i>1.946</i>

DIMENSIONS IN *ITALICS* ARE INCHES.

* The cut-out for the Jam Nut Receptacle is one size larger than MIL-DTL-38999 Series III.



SPACECRAFT COMPONENTS CORP.

Your Connector Consultant Since 1962



SCP 5015 STYLE CONNECTORS (CATALOG 102)



SCPT 26482 STYLE SC1 38999 SERIES I SC2 38999 SERIES II SC39 38999 SERIES III (CATALOG 202)



SCPB SERIES (CATALOG 302)



CONNECTOR ACCESSORIES (CATALOG 401)



CONNECTORS WITH INTEGRATED BACKSHELLS (CATALOG 601)

Try our other connector products. Catalogs available.



SPACECRAFT COMPONENTS CORP.



Headquarters
3040 Clayton Street
North Las Vegas, NV 89032

Phone: 702.851.7600
Fax: 702.851.7620

Email: salesinfo@spacecraft.com
Web: www.spacecraft.com

Florida Office
10732 NW 53rd St.
Sunrise, FL 33351
Tel: 954.748.4540
Fax: 954.748.4128

Arizona Office
519 W. Lone Cactus Dr.
Suite 401
Phoenix, AZ 85027
Tel: 623.580.1162
Fax: 623.580.1165

Italy Office
Spacecraft Components, sp A
Milan, Italy
+39 (335) 719.4512

Mexico Office
Av. Constituyentes 13-6 Col. Pueblo Nuevo
Queretaro, Qro 76900
+52 442 341 69 63

AUG.2012
SF-131

COMPILED AND PRODUCED BY SPACECRAFT COMPONENTS CORP.
©2012 SPACECRAFT COMPONENTS CORP., NORTH LAS VEGAS, NV 89032