

SPACECRAFT COMPONENTS CORP.

Your Connector Consultant Since 1962

MIL-DTL-38999 Series I

DUST CAPS

& DUMMY RECEPTACLES

MS27501

MS27502

M38999/9

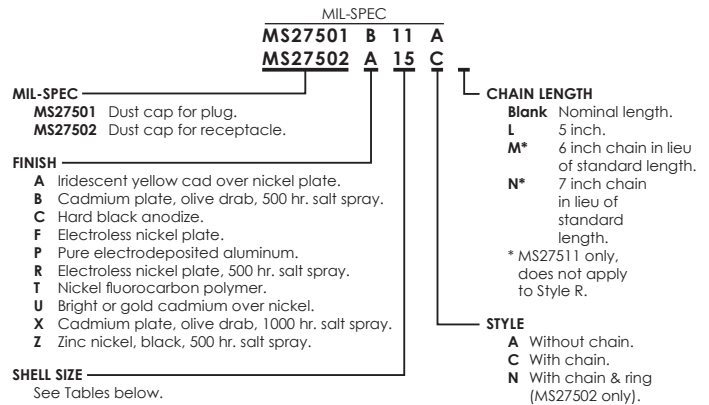
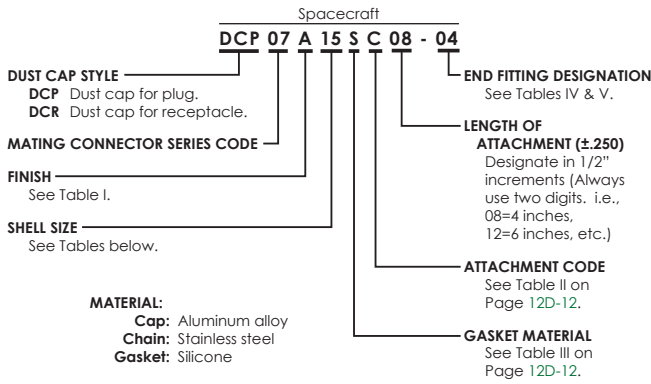


- ▶ Military Approved
- ▶ Special Platings Available
- ▶ Extensive Inventory



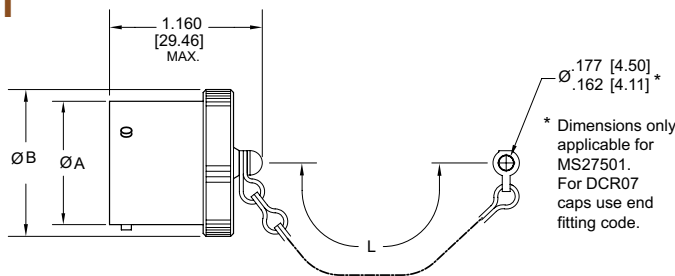
SPACECRAFT
COMPONENTS CORP.

DUST CAPS & DUMMY RECEPTACLES - MIL-DTL-38999 Series I



Dust Cap for Plug

MS27501 DCP07

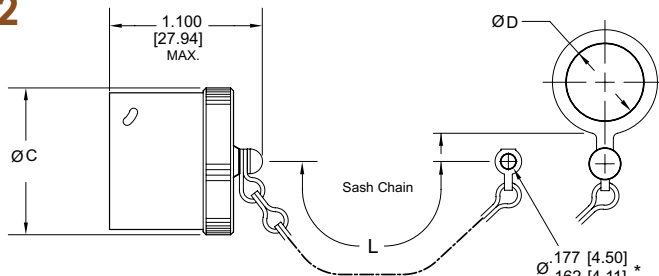


SHELL SIZE	A ±.020 [±0.51]	B MAX.	L + .500 [12.70] - .250 [6.35]
9	.579 [14.71]	.820 [20.83]	3.00 [76.20]
11	.711 [18.06]	.940 [23.88]	3.00 [76.20]
13	.860 [21.84]	1.070 [27.18]	3.50 [88.90]
15	.984 [24.99]	1.190 [30.23]	3.50 [88.90]
17	1.109 [28.17]	1.320 [33.53]	3.50 [88.90]
19	1.216 [30.89]	1.440 [36.58]	3.50 [88.90]
21	1.341 [34.06]	1.570 [39.88]	4.00 [101.60]
23	1.466 [37.24]	1.690 [42.93]	4.00 [101.60]
25	1.591 [40.41]	1.820 [46.23]	4.00 [101.60]

1. Dimensions in brackets [] are in millimeters.

Dust Cap for Receptacle

MS27502 DCR07

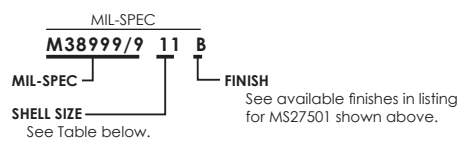
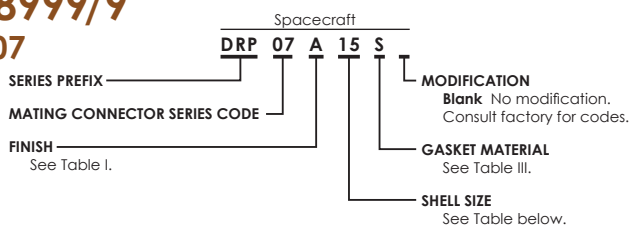


SHELL SIZE	C MAX.	D* MIN.	L + .500 [12.70] - .250 [6.35]
9	.860 [21.84]	.70 [17.78]	3.00 [76.20]
11	.980 [24.89]	.84 [21.34]	3.00 [76.20]
13	1.160 [29.46]	1.01 [25.65]	3.50 [88.90]
15	1.280 [32.51]	1.14 [28.96]	3.50 [88.90]
17	1.410 [35.81]	1.26 [32.00]	3.50 [88.90]
19	1.520 [38.61]	1.39 [35.31]	3.50 [88.90]
21	1.650 [41.91]	1.51 [38.35]	4.00 [101.60]
23	1.770 [44.96]	1.64 [41.66]	4.00 [101.60]
25	1.890 [48.01]	1.76 [44.70]	4.00 [101.60]

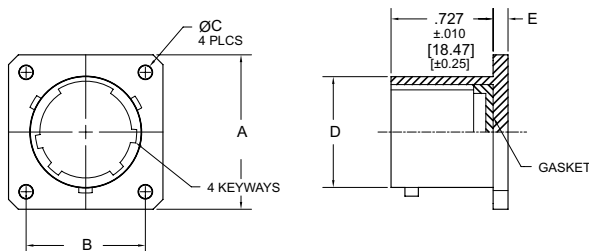
1. Dimensions in brackets [] are in millimeters.
 * "D" dimensions only applicable for MS27502.
 For DCP07 caps use end fitting code.

Dummy Receptacle

M38999/9 DRP07



MATERIAL:
Receptacle: Aluminum
Gasket: Silicone



SHELL SIZE	A ±.020 [0.51]	B DIM	ØC +.010 [0.30] -.005 [0.13]	D +.001 [0.03] -.005 [0.13]	E +.015 [0.38] -.000 [0.00]
9	.938 [23.83]	.719 [18.26]	.128 [3.25]	.572 [14.53]	.085 [2.16]
11	1.031 [26.19]	.812 [20.62]	.128 [3.25]	.700 [17.78]	.085 [2.16]
13	1.125 [28.57]	.906 [23.01]	.128 [3.25]	.850 [21.59]	.085 [2.16]
15	1.219 [30.96]	.969 [24.61]	.128 [3.25]	.975 [24.76]	.085 [2.16]
17	1.312 [33.32]	1.062 [26.97]	.128 [3.25]	1.100 [27.94]	.085 [2.16]
19	1.438 [36.53]	1.156 [29.36]	.128 [3.25]	1.207 [30.66]	.085 [2.16]
21	1.562 [39.67]	1.250 [31.75]	.128 [3.25]	1.332 [33.83]	.115 [2.92]
23	1.688 [42.88]	1.375 [34.92]	.147 [3.73]	1.457 [37.01]	.115 [2.92]
25	1.812 [46.02]	1.500 [38.10]	.147 [3.73]	1.582 [40.18]	.115 [2.92]

1. Dimensions in brackets [] are in millimeters.



**SPACECRAFT
COMPONENTS CORP.**

3040 Clayton Street
North Las Vegas, NV 89032

Phone: 702.851.7600
Fax: 702.851.7620

Email: salesinfo@spacecraft.com
Web: www.spacecraft.com

MIL-DTL-38999 Series I - DUST CAPS & DUMMY RECEPTACLES

SPACECRAFT CODES FOR:
 DUST CAP FOR PLUG: **DCP07**
 DUST CAP FOR RECEPTACLE: **DCR07**
 DUMMY RECEPTACLE: **DRP07**

TABLE I. FINISH CODES
 CONSULT FACTORY FOR OTHER AVAILABLE FINISHES

Spacecraft Code	Finish	Specification(s)
H	● Anodize, Black	AMS-A-8625, Type II, Class 2
B	● Cadmium Plate, Black	AMS-QQ-P-416, Type II, Class 3
X	● Cadmium Plate, Bright Over Electroless Nickel	AMS-QQ-P-416, Type I, Class 3 ASTMB 733-90, SC2, Type I, Class 5 over AMS-C-26074, Class 4, Grade B
E	● Cadmium Plate, Gold Iridite, Over Electroless Nickel	MIL-C-5541, Class 3 AMS-QQ-P-416, Type II, Class 3 over AMS-C-26074, Class 4, Grade B
C	● Cadmium Plate, Olive Drab	AMS-QQ-P-416, Type II, Class 3, 48 Hours
A	● Cadmium Plate, Olive Drab Over Electroless Nickel	1000 Hour Corrosion Resistance
N	● Electroless Nickel	AMS-C-26074, Class 4, Grade B
L	● Zinc Cobalt, Dark Olive Drab	96 Hour Corrosion Resistance
P	● Passivated, Stainless Steel	AMS-QQ-P-35
T	● Nickel, Fluorocarbon Polymer	500 Hour Corrosion Resistance
W	● Zinc Nickel, Black	ASTM B841 Type D

TABLE II. ATTACHMENT CODES

Attachment Code	Description
A	No Attachment Required
B	Bead Chain, Brass, Nickel Plated
C	Sash Chain, SST, Passivated
D	Bead Chain, SST, Passivated
E	Bead Chain, Brass, Cadmium, Olive Drab Plated
F	Bead Chain, Brass, Unfinished
I	Bead Chain, Brass, Black Oxide Finish
N	Wire Rope, No Jacket
P	Wire Rope, Polyurethane Jacket with Terminal
R	Wire Rope, SST, PVC Covered, Green Color
T	Wire Rope, SST, Teflon Covered, Natural Cover
U	Wire Rope, SST, Nylon Covered, Brown Color
V	Wire Rope, SST, Viton Covered, Black Color
W	Nylon Cord, Green Color, SST Terminal

TABLE III. GASKET MATERIAL CODES

Material Code	Material Description
A	Fluorosilicone, Blue
N	Neoprene, Black, MIL-R-3065
O	None Required
S	Silicone, Red, ZZ-R-765
C	Conductive Silicone

TABLE IV. EYELET END FITTING STYLES AND SIZES
 (NOT USED WITH ATTACHMENT CODE A)

Dash No. Code	Y Ref. Dia.
00	No Eyelet
01	.125
02	.141
03	.167
04	.188
05	.219
06	.250
07	.156
08	.121

USED WITH ATTACHMENT CODES:

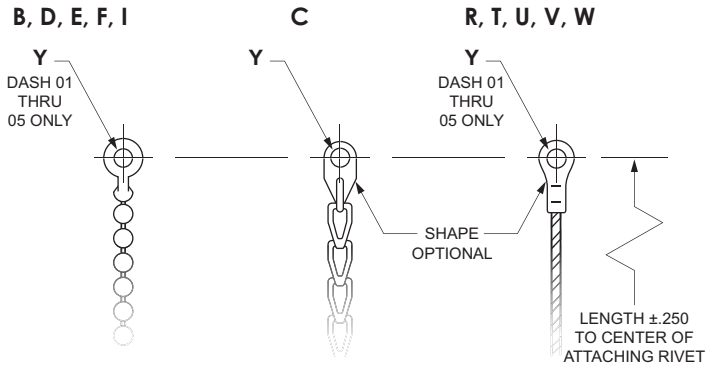
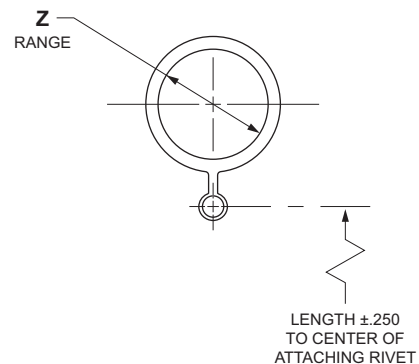


TABLE V. RING END FITTING SIZES
 (NOT USED WITH ATTACHMENT CODE A)

DASH NO. CODE	Z RANGE	DASH NO. CODE	Z RANGE	DASH NO. CODE	Z RANGE
33	.401 - .391	15	1.072 - 1.052	24	2.088 - 2.078
34	.454 - 444	16	1.198 - 1.178	25	2.151 - 2.141
35	.464 - .454	17	1.322 - 1.302	26	2.276 - 2.266
36	.526 - .516	18	1.448 - 1.428	27	2.338 - 2.328
11	.604 - .584	19	1.572 - 1.552	28	2.401 - 2.391
37	.651 - .641	20	1.698 - 1.678	29	2.526 - 2.516
12	.729 - .709	21	1.822 - 1.802	30	2.651 - 2.641
13	.885 - .865	22	1.948 - 1.928	31	2.901 - 2.891
14	.948 - .918	23	2.026 - 2.016	32	3.026 - 3.016

USED WITH ATTACHMENT CODES:
 B THRU W



SPACECRAFT COMPONENTS CORP.

Your Connector Consultant Since 1962

Try Our Other Connector Products



SCP 5015 STYLE CONNECTORS (CATALOG 102)



SCPT 26482 STYLE SC1 38999 SERIES I SC2 38999 SERIES II SC39 38999 SERIES III (CATALOG 202)



SCPB SERIES (CATALOG 302)



CONNECTOR ACCESSORIES (CATALOG 402)



CONNECTORS WITH INTEGRATED BACKSHELLS (CATALOG 601)



Get All of Our Catalogs & Product Brochures on One Disc



SPACECRAFT COMPONENTS CORP.



Headquarters

3040 Clayton Street
North Las Vegas, NV 89032

Phone: 702.851.7600
Fax: 702.851.7620

Email: salesinfo@spacecraft.com
Web: www.spacecraft.com

Florida Office

4577 Nob Hill Road
Suite 106
Sunrise, FL 33351
Tel: 954.748.4540
Fax: 954.748.4128

Arizona Office

519 W. Lone Cactus Dr.
Suite 401
Phoenix, AZ 85027
Tel: 623.580.1162
Fax: 623.580.1165

Italy Office

Spacecraft Components, sp A
Milan, Italy
+39 [335] 719.4512

Mexico Office

Av. Constituyentes 13-6 Col. Pueblo Nuevo
Queretaro, Qro 76900
+52 442 341 69 63

APR 2013
SF-144

COMPILED AND PRODUCED BY SPACECRAFT COMPONENTS CORP.
©2012 SPACECRAFT COMPONENTS CORP., NORTH LAS VEGAS, NV 89032