

SPACECRAFT COMPONENTS CORP.

Your Connector Consultant Since 1962

MIL-DTL-83723 Series III - Bayonet Coupling

DUST CAPS

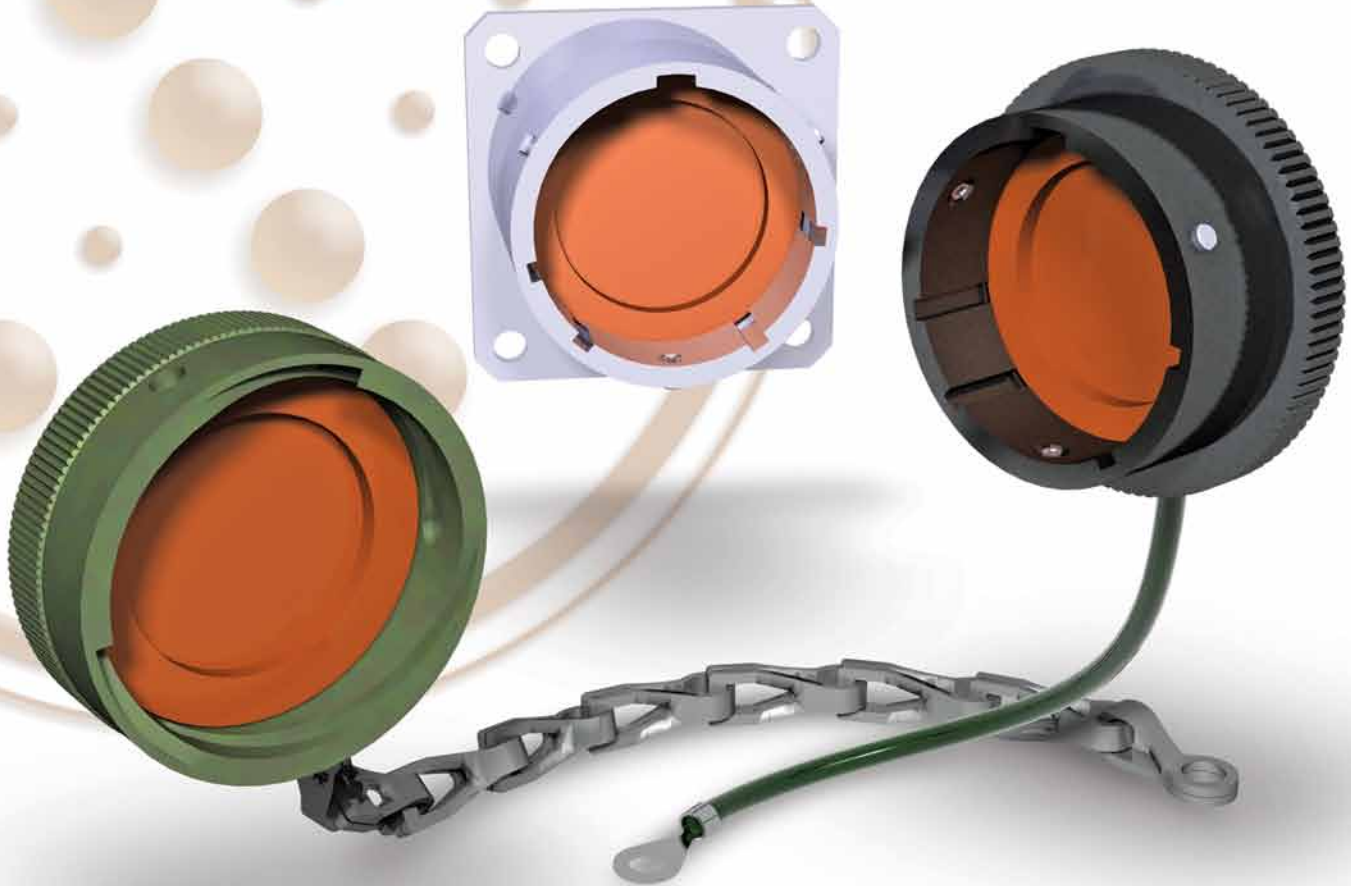
& DUMMY RECEPTACLES

M83723/59-2

M83723/60-2

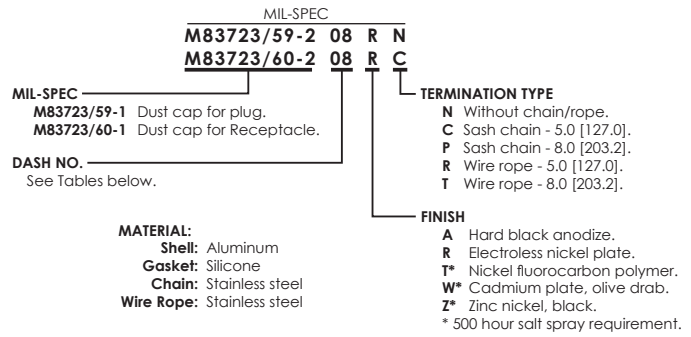
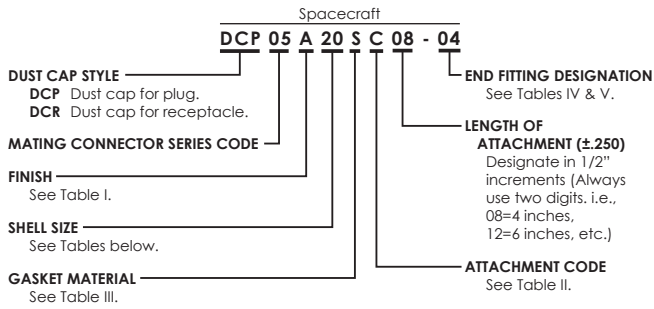
M83723/61-2

- ▶ Military Approved
- ▶ Special Platings Available
- ▶ Extensive Inventory



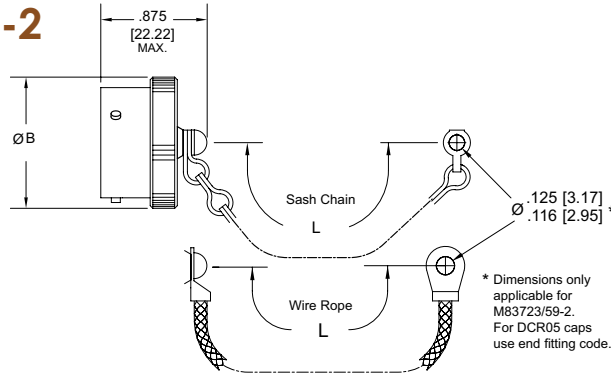
SPACECRAFT
COMPONENTS CORP.

DUST CAPS & DUMMY RECEPTACLES - MIL-DTL-83723 Series III Bayonet



Dust Cap for Plug

M83723/59-2 DCP05

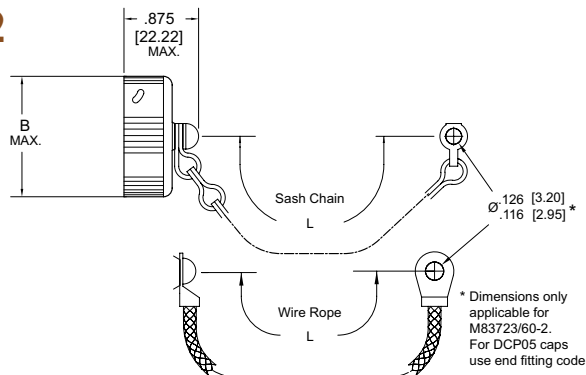


DASH NUMBER	SHELL SIZE	B MAX.	L +.250 CHAIN OR ROPE	
			TYPE C OR R	TYPE P OR T
8	8	.776 [19.71]	5.00 [127.00]	8.00 [203.20]
10	10	.906 [23.01]	5.00 [127.00]	8.00 [203.20]
12	12	1.078 [27.38]	5.00 [127.00]	8.00 [203.20]
14	14	1.141 [28.98]	5.00 [127.00]	8.00 [203.20]
16	16	1.266 [32.16]	5.00 [127.00]	8.00 [203.20]
18	18	1.375 [34.92]	5.00 [127.00]	8.00 [203.20]
20	20	1.510 [38.35]	5.00 [127.00]	8.00 [203.20]
22	22	1.625 [41.27]	5.00 [127.00]	8.00 [203.20]
24	24	1.760 [44.70]	5.00 [127.00]	8.00 [203.20]

1. Dimensions in brackets [] are in millimeters.

Dust Cap for Receptacle

M83723/60-2 DCR05

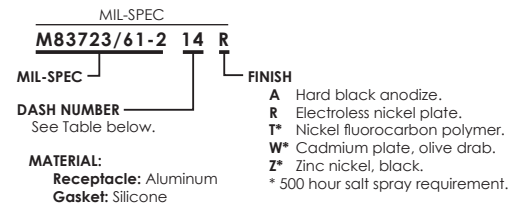
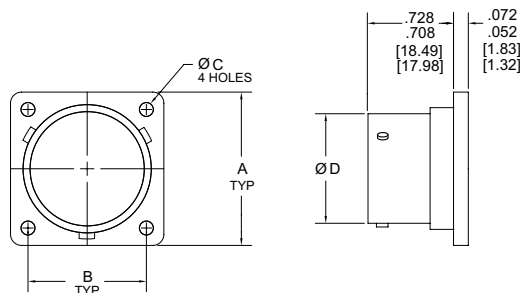
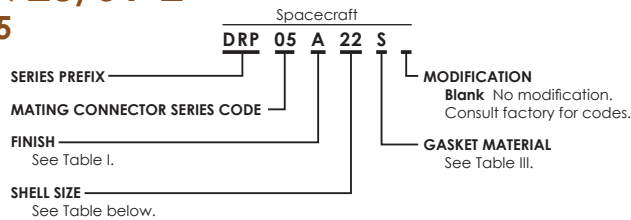


DASH NUMBER	SHELL SIZE	B MAX.	L +.250 CHAIN OR ROPE	
			TYPE C OR R	TYPE P OR T
8	8	.776 [19.71]	5.00 [127.00]	8.00 [203.20]
10	10	.906 [23.01]	5.00 [127.00]	8.00 [203.20]
12	12	1.078 [27.38]	5.00 [127.00]	8.00 [203.20]
14	14	1.141 [28.98]	5.00 [127.00]	8.00 [203.20]
16	16	1.266 [32.16]	5.00 [127.00]	8.00 [203.20]
18	18	1.375 [34.92]	5.00 [127.00]	8.00 [203.20]
20	20	1.510 [38.35]	5.00 [127.00]	8.00 [203.20]
22	22	1.625 [41.27]	5.00 [127.00]	8.00 [203.20]
24	24	1.760 [44.70]	5.00 [127.00]	8.00 [203.20]

1. Dimensions in brackets [] are in millimeters.

Dummy Receptacle

M83723/61-2 DRP05



DASH NO.	SHELL SIZE	A	B +.000 [0.00] -.009 [0.23]	C +.000 [0.00] -.009 [0.23]	ØD +.005 [0.13] -.000 [0.00]
8	8	.812 [20.62]	.594 [15.09]	.125 [3.17]	.562 [14.27]
10	10	.937 [23.80]	.719 [18.26]	.125 [3.17]	.696 [17.68]
12	12	1.031 [26.19]	.812 [20.62]	.125 [3.17]	.875 [22.22]
14	14	1.125 [28.57]	.906 [23.01]	.125 [3.17]	.935 [23.75]
16	16	1.250 [31.75]	.969 [24.61]	.125 [3.17]	1.062 [26.97]
18	18	1.343 [34.11]	1.062 [26.97]	.125 [3.17]	1.187 [30.15]
20	20	1.437 [36.50]	1.156 [29.36]	.125 [3.17]	1.312 [33.32]
22	22	1.562 [39.67]	1.250 [31.75]	.125 [3.17]	1.437 [36.50]
24	24	1.703 [43.26]	1.375 [34.92]	.154 [3.91]	1.562 [39.67]

1. Dimensions in brackets [] are in millimeters.



**SPACECRAFT
COMPONENTS CORP.**

3040 Clayton Street
North Las Vegas, NV 89032

Phone: 702.851.7600
Fax: 702.851.7620

Email: salesinfo@spacecraft.com
Web: www.spacecraft.com

MIL-DTL-83723 Series III Bayonet - DUST CAPS & DUMMY RECEPTACLES

SPACECRAFT CODES FOR:
 DUST CAP FOR PLUG: **DCP05**
 DUST CAP FOR RECEPTACLE: **DCR05**
 DUMMY RECEPTACLE: **DRP05**

TABLE I. FINISH CODES
 CONSULT FACTORY FOR OTHER AVAILABLE FINISHES

Spacecraft Code	Finish	Specification(s)
H	● Anodize, Black	AMS-A-8625, Type II, Class 2
B	● Cadmium Plate, Black	AMS-QQ-P-416, Type II, Class 3
X	● Cadmium Plate, Bright Over Electroless Nickel	AMS-QQ-P-416, Type I, Class 3 ASTMB 733-90, SC2, Type I, Class 5 over AMS-C-26074, Class 4, Grade B
E	● Cadmium Plate, Gold Iridite, Over Electroless Nickel	MIL-C-5541, Class 3 AMS-QQ-P-416, Type II, Class 3 over AMS-C-26074, Class 4, Grade B
C	● Cadmium Plate, Olive Drab	AMS-QQ-P-416, Type II, Class 3, 48 Hours
A	● Cadmium Plate, Olive Drab Over Electroless Nickel	1000 Hour Corrosion Resistance
N	● Electroless Nickel	AMS-C-26074, Class 4, Grade B
L	● Zinc Cobalt, Dark Olive Drab	96 Hour Corrosion Resistance
P	● Passivated, Stainless Steel	AMS-QQ-P-35
T	● Nickel, Fluorocarbon Polymer	500 Hour Corrosion Resistance
W	● Zinc Nickel, Black	ASTM B841 Type D

TABLE II. ATTACHMENT CODES

Attachment Code	Description
A	No Attachment Required
B	Bead Chain, Brass, Nickel Plated
C	Sash Chain, SST, Passivated
D	Bead Chain, SST, Passivated
E	Bead Chain, Brass, Cadmium, Olive Drab Plated
F	Bead Chain, Brass, Unfinished
I	Bead Chain, Brass, Black Oxide Finish
N	Wire Rope, No Jacket
P	Wire Rope, Polyurethane Jacket with Terminal
R	Wire Rope, SST, PVC Covered, Green Color
T	Wire Rope, SST, Teflon Covered, Natural Cover
U	Wire Rope, SST, Nylon Covered, Brown Color
V	Wire Rope, SST, Viton Covered, Black Color
W	Nylon Cord, Green Color, SST Terminal

TABLE III. GASKET MATERIAL CODES

Material Code	Material Description
A	Fluorosilicone, Blue
N	Neoprene, Black, MIL-R-3065
O	None Required
S	Silicone, Red, ZZ-R-765
C	Conductive Silicone

TABLE IV. EYELET END FITTING STYLES AND SIZES (NOT USED WITH ATTACHMENT CODE A)

Dash No. Code	Y Ref. Dia.
00	No Eyelet
01	.125
02	.141
03	.167
04	.188
05	.219
06	.250
07	.156
08	.121

USED WITH ATTACHMENT CODES:

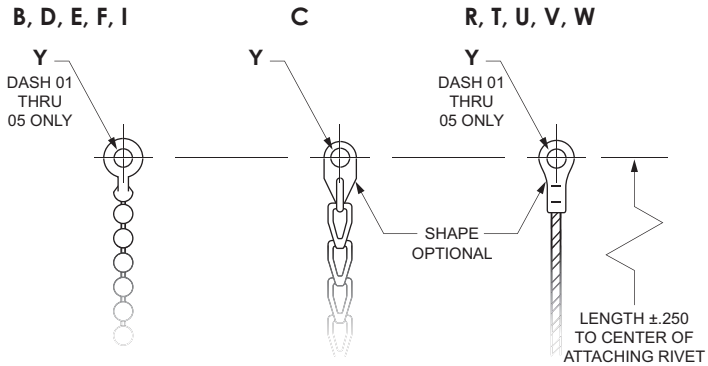
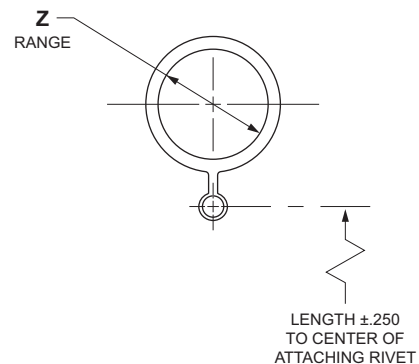


TABLE V. RING END FITTING SIZES (NOT USED WITH ATTACHMENT CODE A)

DASH NO. CODE	Z RANGE	DASH NO. CODE	Z RANGE	DASH NO. CODE	Z RANGE
33	.401 - .391	15	1.072 - 1.052	24	2.088 - 2.078
34	.454 - 444	16	1.198 - 1.178	25	2.151 - 2.141
35	.464 - .454	17	1.322 - 1.302	26	2.276 - 2.266
36	.526 - .516	18	1.448 - 1.428	27	2.338 - 2.328
11	.604 - .584	19	1.572 - 1.552	28	2.401 - 2.391
37	.651 - .641	20	1.698 - 1.678	29	2.526 - 2.516
12	.729 - .709	21	1.822 - 1.802	30	2.651 - 2.641
13	.885 - .865	22	1.948 - 1.928	31	2.901 - 2.891
14	.948 - .918	23	2.026 - 2.016	32	3.026 - 3.016

USED WITH ATTACHMENT CODES: **B THRU W**



SPACECRAFT COMPONENTS CORP.

Your Connector Consultant Since 1962

Try Our Other Connector Products



SCP 5015 STYLE CONNECTORS (CATALOG 102)



SCPT 26482 STYLE SC1 38999 SERIES I SC2 38999 SERIES II SC39 38999 SERIES III (CATALOG 202)



SCPB SERIES (CATALOG 302)



CONNECTOR ACCESSORIES (CATALOG 402)



CONNECTORS WITH INTEGRATED BACKSHELLS (CATALOG 601)



Get All of Our Catalogs & Product Brochures on One Disc



SPACECRAFT COMPONENTS CORP.



Headquarters

3040 Clayton Street
North Las Vegas, NV 89032

Phone: 702.851.7600
Fax: 702.851.7620

Email: salesinfo@spacecraft.com
Web: www.spacecraft.com

Florida Office

4577 Nob Hill Road
Suite 106
Sunrise, FL 33351
Tel: 954.748.4540
Fax: 954.748.4128

Arizona Office

519 W. Lone Cactus Dr.
Suite 401
Phoenix, AZ 85027
Tel: 623.580.1162
Fax: 623.580.1165

Italy Office

Spacecraft Components, sp A
Milan, Italy
+39 [335] 719.4512

Mexico Office

Av. Constituyentes 13-6 Col. Pueblo Nuevo
Queretaro, Qro 76900
+52 442 341 69 63

COMING SOON...
All Plastic Connectors
CATALOG 701

APR 2013
SF-147