

LIQUID-TIGHT FLEXIBLE METAL CONDUIT ADAPTER



- ▶ For Liquid-Tight Metal Conduit
- ▶ Water Tight Environments
- ▶ Rotatable Spin Nut
- ▶ Grounded Application

Primary Markets

- ▶ Railway
- ▶ Signaling
- ▶ Commercial/Robotic



LIQUID-TIGHT FLEXIBLE METAL CONDUIT ADAPTER

SCP420 H S 001 M 16 03 3

SERIES PREFIX

CONNECTOR DESIGNATOR
See Backshell Interface Standards

PROFILE
A 90°
B 45°
S Straight

BASIC PART NUMBER

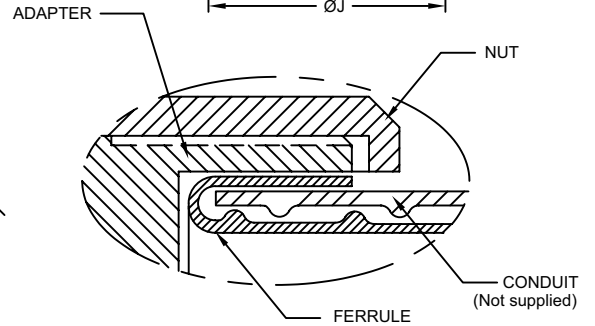
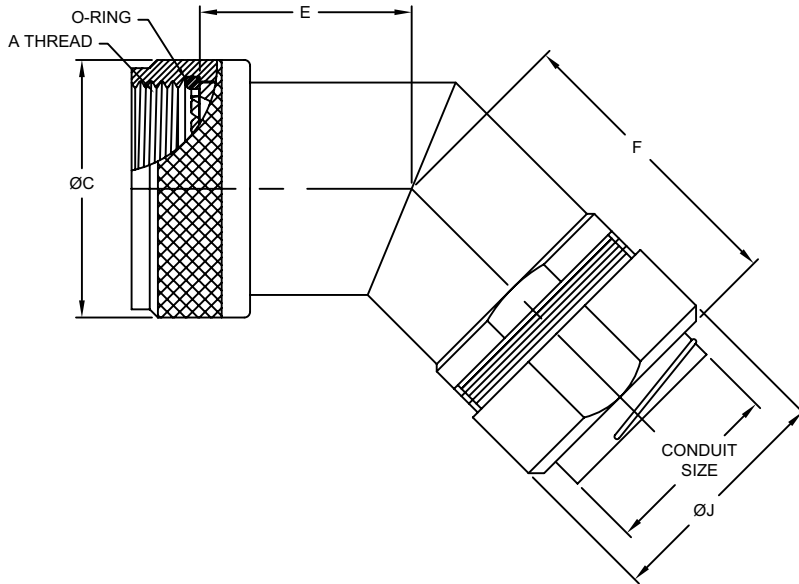
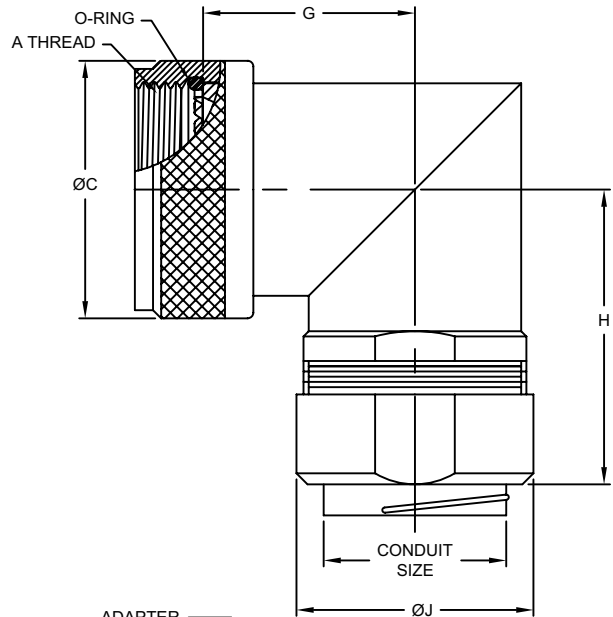
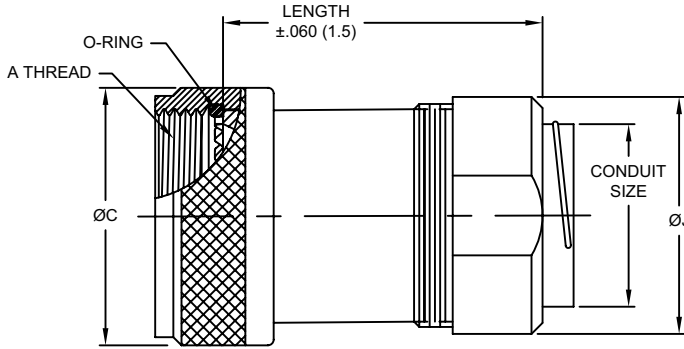
LENGTH Applies to "S" only

3 1.5 Inches
4 2.0 Inches
5 2.5 Inches

CONDUIT SIZE (Table IV)

SHELL SIZE (Table III)

FINISH (Table II)



BACK SHELL INTERFACE STANDARDS

DESIGNATION	SPEC	SERIES	DESIGNATION	SPEC	SERIES
A	MIL-DTL-5015	MS3400	G	MIL-C-28840	
	MIL-DTL-26482	2	H	MIL-DTL-38999	III & IV
	MIL-DTL-81703	3	J	MIL-C-81511	1, 2, 3 & 4
	MIL-DTL-82723	I & III		VG95329	
	AS95234		K	MIL-DTL-83723	II
B	MIL-DTL-5015	MS3100	L	EN3372	
C	MIL-C-22992	MS173XX		JN 1003	
D	MIL-DTL-26482	1		PAN 6433-2	
E	MIL-DTL-26500	ALUMINUM		PATT 615	
F	MIL-DTL-38999	I & II		VG 96912	

TABLE I – BACK SHELL INTERFACE DIMENSIONS

CONNECTOR DESIGNATOR										A THREADS	ØC MAX	
A	C	D	E	F	G	H	J	K	L			S
		08	08	08 (9)				08	08	08	7/16-28 UNEF	.650 [16.5]
							09 (A)				M12 x 1-6H	.770 [19.6]
08											1/2-20 UNF	.650 [16.5]
								08 (A)	10		1/2-28 UNEF	.770 [19.6]
03		10	10	10 (11)				11	10	10	9/16-24 UNEF	.770 [19.6]
							11 (B)				M15 x 1-6H	.820 [20.8]
10										12 (13)	5/8-24 UNEF	.770 [19.6]
										10 (B)	5/8-28 UN	.890 [22.6]
		12		12 (13)						12	11/16-24 UNEF	.890 [22.6]
							13 (C)				M18 x 1-6H	.940 [23.9]
12 (7)	12		12				11 (A)			14 (15)	3/4-20 UNEF	.940 [23.9]
		14	14	14 (15)						14	13/16-20 UNEF	1.020 [25.9]
							15 (D)				M22 x 1-6H	1.070 [26.2]
14 (12)	14						13 (B)			16 (17)	7/8-20 UNEF	1.020 [25.9]
										14 (D)	7/8-28 UN	1.150 [29.2]
		16	16	16 (17)						16	15/16-20 UNEF	1.150 [29.2]
							17 (E)				M25 x 1-6H	1.210 [30.7]
16 (19)	16						15 (C)			18	1-20 UNEF	1.210 [30.7]
										16 (E)	1-28 UN	1.360 [34.5]
18 (27)		18	18	18 (19)						18	1 1/16-18 UNEF	1.230 [31.2]
							19 (F)				M28 x 1-6H	1.360 [34.5]
										20	1 1/8-18 UNEF	1.360 [34.5]
										18 (F)	1 1/8-28 UN	1.480 [37.6]
20 (37)		20	20	20 (21)						20	1 3/16-18 UNEF	1.360 [34.5]
							21 (G)				M31 x 1-6H	1.480 [37.6]
										22	1 1/4-18 UNEF	1.530 [38.9]
										20 (G)	1 1/4-28 UN	1.600 [40.6]
22		22	22	22 (23)						22	1 5/16-18 UNEF	1.480 [37.6]
							23 (H)				M34 x 1-6H	1.600 [40.6]
										24	1 3/8-18 UNEF	—
										22 (H)	1 3/8-28 UN	1.730 [43.9]
24		24	24	24 (25)	23 (F)					24	1 7/16-18 UNEF	1.730 [43.9]
							25 (J)				M37 x 1-6H	1.700 [43.2]
61											1 1/2-18 UNEF	1.670 [42.4]
										24 (J)	1 1/2-28 UN	1.940 [49.3]
											1 9/16 UNEF	1.820 [46.2]
		24								28	1 5/8 UNEF	—
28											1 3/4-18 UNS	1.970 [50.0]
										32	1 7/8-16 UN	2.190 [55.6]
32											2-18 UNS	2.220 [56.4]
											2 1/16-16 UNS	2.440 [62.0]
										36	2 1/8-16 UN	—
36											2 1/4-16 UN	2.470 [62.7]
		36									2 5/16-16 UNS	—
										40	2 3/8-16 UN	—
40											2 1/2-16 UN	2.720 [69.1]
											2 5/8-16 UN	—
44											2 3/4-16 UN	2.970 [75.4]
											2 7/8-16 UN	—
48											3-16 UN	3.220 [81.8]
		48									3 1/16-16 UN	—

TABLE II – FINISH

PART NO.	FINISH	SPECIFICATIONS
A	Cadmium Plate, Bright	AMS-QQ-P-416, Type I, Class 2
B	Cadmium Plate, Olive Drab	AMS-QQ-P-416, Type II, Class 3
C	Anodize, Black	AMS-A-8625, Type II, Class 2
G	Hard Coat, Anodic	AMS-A-8625, Type III, Class 1
J	Iridite, Gold Over Cadmium Plate Over Electroless Nickel	MIL-C-5541, Class 3 AMS-QQ-P-416, Type II, Class 3 Over AMS-C-26074, Class 4, Grade B
LF	Cadmium Plate, Bright Over Electroless Nickel	1000 Hour Corrosion Resistance
M	Electroless Nickel	AMS-C-26074, Type 4, Grade B
N	Cadmium Plate, Olive Drab Over Electroless Nickel	AMS-QQ-P-416, Type II, Class 3 Over Electroless Nickel AMS-C-26074
NC	Zinc Cobalt, Dark Olive Drab	96 Hour Corrosion Resistance
NF	Cadmium Plate, Olive Drab Over Electroless Nickel	1000 Hour Corrosion Resistance
T	Cadmium Plate, Olive Drab Over Electroless Nickel	AMS-QQ-P-416, Type II, Class 3 ASTMB 733-90, SC2, Type I, Class 5, MIL-C-26074
U	Cadmium Plate, Black	AMS-QQ-P-416, Type II, Class 3
ZN	Zinc Nickel Alloy, Olive Drab	ASTMB 841-91, Over Electroless Nickel 1000 Hour Salt Spray

Note 1: When maximum entry is exceeded, Style 2 will be supplied, Dimension E, F, G & H will not apply.

TABLE III – SHELL SIZE

SHELL SIZE		E MAX	F MAX	G MAX	H MAX
A-F-J-L-S	H				
08	09	.726 [18.4]	1.406 [35.7]	.858 [21.8]	1.538 [39.1]
10	11	.750 [19.1]	1.430 [36.3]	.917 [23.3]	1.597 [40.6]
12	13	.776 [19.7]	1.456 [37.0]	.979 [24.9]	1.659 [42.1]
14	15	.790 [20.1]	1.479 [37.6]	1.036 [26.3]	1.716 [43.6]
16	17	.825 [21.0]	1.505 [38.2]	1.099 [27.9]	1.779 [45.2]
18	19	.845 [21.5]	1.525 [38.7]	1.147 [29.1]	1.826 [46.4]
20	21	.873 [22.2]	1.553 [39.4]	1.215 [30.9]	1.895 [48.1]
22	23	.899 [22.8]	1.579 [40.1]	1.277 [32.4]	1.957 [49.7]
24	25	.925 [23.5]	1.605 [40.8]	1.340 [34.0]	2.020 [51.3]
28		.954 [24.2]	1.634 [41.5]	1.409 [35.8]	2.089 [53.1]
32		1.005 [25.5]	1.685 [42.8]	1.532 [38.9]	2.212 [56.2]
36		1.049 [26.6]	1.729 [43.9]	1.640 [41.7]	2.320 [58.9]

TABLE IV – CONDUIT SIZE

CONDUIT SIZE	CONDUIT DIAMETER		M MAX	N MAX
	INSIDE	OUTSIDE		
01 (3/8)	.484/.504 [12.3/12.8]	.690/.710 [17.5/18.0]	1.155 [29.3]	1.000 [25.4]
02 (1/2)	.622/.642 [15.8/16.3]	.820/.840 [20.8/21.3]	1.282 [32.6]	1.125 [28.6]
03 (3/4)	.820/.840 [20.8/21.3]	1.030/1.050 [26.2/26.7]	1.531 [38.9]	1.375 [34.9]
04 (1)	1.040/1.066 [26.4/27.1]	1.290/1.315 [32.8/33.4]	1.781 [45.2]	1.625 [41.3]
05 (1 1/4)	1.380/1.410 [35.1/35.8]	1.630/1.660 [41.4/42.2]	2.218 [56.3]	2.062 [52.4]
06 (1 1/2)	1.575/1.600 [40.0/40.6]	1.875/1.900 [47.6/48.3]	2.468 [62.7]	2.312 [58.7]
07 (2)	2.020/2.045 [51.3/51.9]	2.350/2.375 [59.7/60.3]	3.031 [77.0]	2.875 [73.0]

SPACECRAFT COMPONENTS CORP.

Your Connector Consultant Since 1962

Try Our
Other
Connector
Products



You Can
View All Our
Catalogs and
Products Brochures
on our Website
www.spacecraft.com



**SPACECRAFT
COMPONENTS CORP.**

Headquarters

3040 Clayton Street
North Las Vegas, NV 89032

Phone: 702.851.7600
Fax: 702.851.7620

Email: salesinfo@spacecraft.com
Web: www.spacecraft.com

Florida Office

4577 Nob Hill Road
Suite 106
Sunrise, FL 33351
Tel: 954.748.4540
Fax: 954.748.4128

South Carolina Office

25 Woods Lake Rd.,
Suite 403
Greenville, SC 29607
Tel: 954.748.4540
Fax: 954.748.4128

Italy Office

Spacecraft Components, sp A
Milan, Italy
+39 (335) 719.4512

AUG.2023
SF-240

COMPILED AND PRODUCED BY SPACECRAFT COMPONENTS CORP.
©2023 SPACECRAFT COMPONENTS CORP., NORTH LAS VEGAS, NV 89032