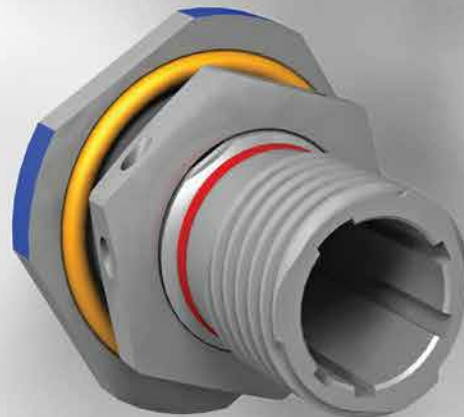
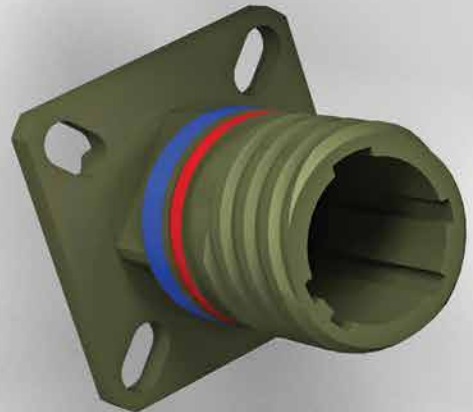
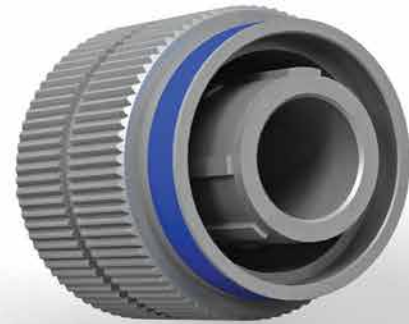
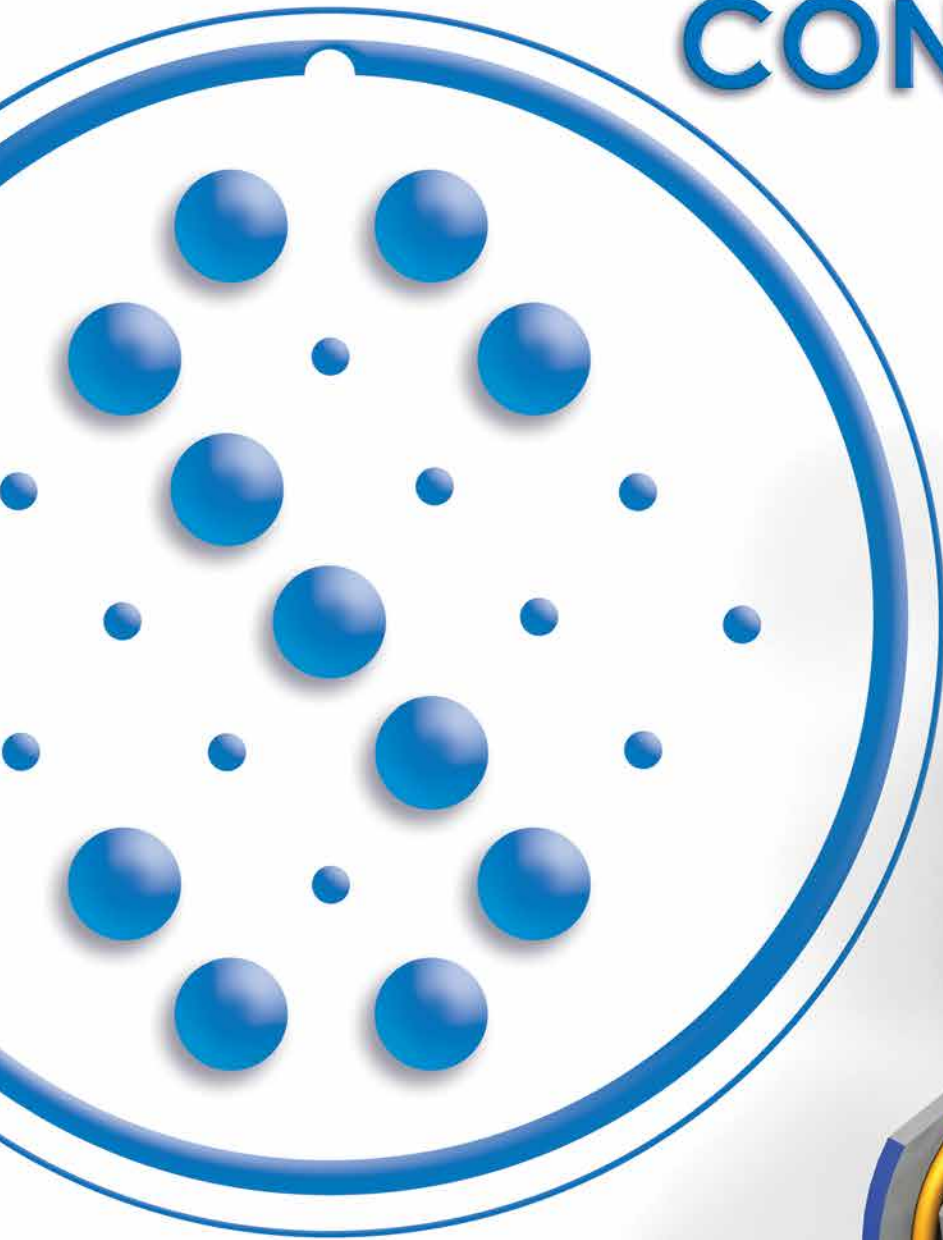


SPACECRAFT COMPONENTS CORP.

Your Connector Consultant Since 1962

# #8 SINGLE CONTACT CONNECTOR



- ▶ Insertable/Removable # 8 Crimp Twinax/Coax/Quadax Contacts
- ▶ Scoop-Proof Design
- ▶ Contact Grounded to Shell
- ▶ Low Profile Design



**SPACECRAFT**  
**COMPONENTS CORP.**

# #8 SINGLE CONTACT CONNECTOR

© 2022 Spacecraft Components Corp., North Las Vegas, Nevada 89032

## TABLE OF CONTENTS

SC3901	In Line Receptacle, Less Accessories . . . . .	4
SC3901G	In Line Receptacle, Removable Grommet Boot . . . . .	4
SC3901H	In Line Receptacle, Fixed Integral Seal . . . . .	4
SC3901SV	In Line Receptacle, Integrated Back Shell . . . . .	4
SC3920	Wall mount Receptacle, Less Accessories . . . . .	5
SC3920G	Wall mount Receptacle, Removable Grommet Boot . . . . .	5
SC3920H	Wall mount Receptacle, Fixed Integral Seal . . . . .	5
SC3920SV	Wall mount Receptacle, Integrated Back Shell . . . . .	5
SC3924	Jamnut Receptacle, Less Accessories . . . . .	6
SC3924G	Jamnut Receptacle, Removable Grommet Boot . . . . .	6
SC3924H	Jamnut Receptacle, Fixed Integral Seal . . . . .	6
SC3924SV	Jamnut Receptacle, Integrated Back Shell . . . . .	6
SC3926	Straight Plug, Less Accessories . . . . .	7
SC3926G	Straight Plug, Removable Grommet Boot . . . . .	7
SC3926H	Straight Plug, Fixed Integral Seal . . . . .	7
SC3926SV	Straight Plug, Integrated Back Shell . . . . .	7

## ORDERING INFORMATION

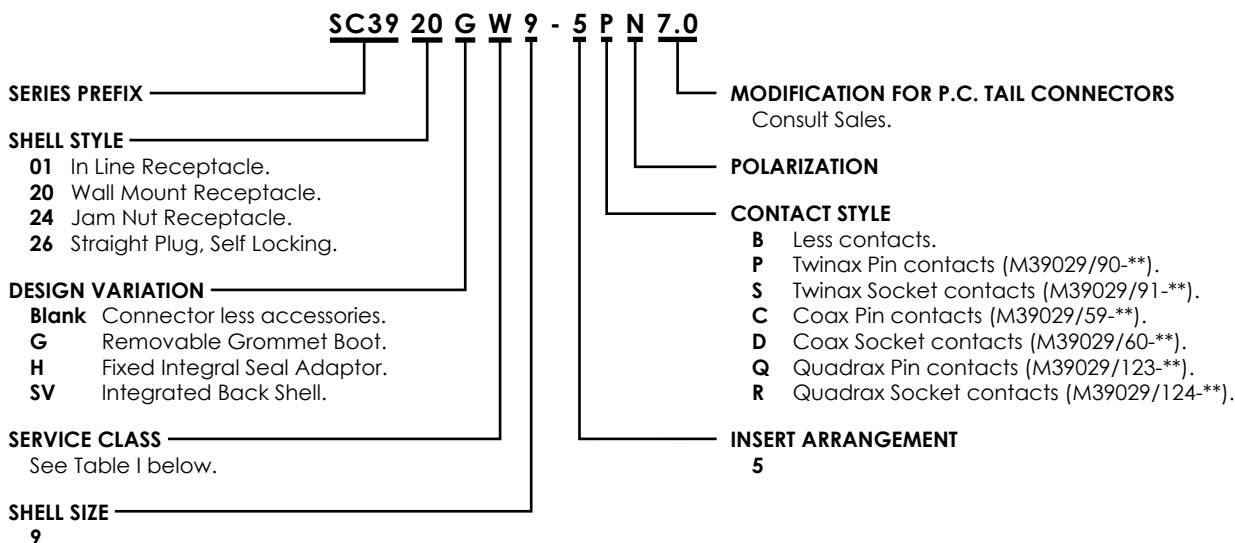


TABLE I – SERVICE CLASS

CLASS	MATERIAL	FINISH	TEMPERATURE
F	Aluminium	Electroless Nickel	-65° to 200°C
K	Stainless Steel	Passivated	-65° to 200°C
L	Stainless Steel	Electrodeposited Nickel	-65° to 200°C
P	Aluminium	Pure Electrodeposited aluminium	-65° to 175°C
R	Aluminium	Electrodeposited Nickel	-65° to 200°C
S	Stainless Steel	Electrodeposited Nickel	-65° to 200°C
T	Aluminium	Nickel fluorocarbon polymer	-65° to 175°C
W	Aluminium	Cadmium olive drab 500 hr. salt spray	-65° to 175°C
X	Aluminium	Cadmium olive drab 1000 hr. salt spray	-65° to 175°C
Z	Aluminium	Zinc nickel, black, 500 hr.	-65° to 175°C

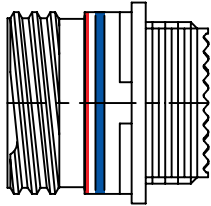
\* Class R same as F, but higher corrosion requirement

# #8 SINGLE CONTACT CONNECTOR

For weight/space saving MIL-STD-1553 data bussing requirements, Spacecraft Components offers four (4) innovative single contact connector designs. These designs utilize qualified MIL-C-38999 Series III Shell Size 9 hardware and a wide variety of qualified and specialized #8 Twinax/Coax/Quadrx contacts.

Available in various shell styles, shell materials, and plating options (Classes F, K, L, P, R, S, T, W, X, Z) each connector option incorporates unique design features.

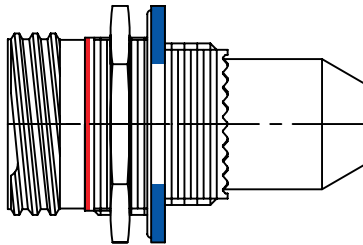
## Connector Less Accessories



Insertable/Removable #8 Crimp  
Twinax/Coax/Quadrx Contacts  
Scoop-Proof Design  
Plugs Accept #8 Socket  
Twinax/Coax/Quadrx Contacts  
Contact Grounded to Shell

Available With Cable Support  
Sealing Achieved by a Removable  
Contact/Cable Seal Boot  
Low Profile Design  
Receptacles Accept #8 Pin  
Twinax/Coax/Quadrx Contacts

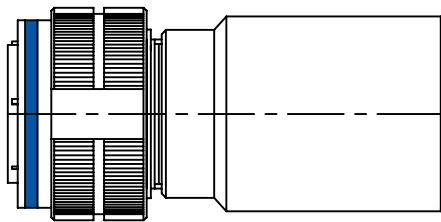
## Connector with Removable Contact Seal Boot Design



Insertable/Removable #8 Crimp  
Twinax/Coax/Quadrx Contacts  
Scoop-Proof Design  
Plugs Accept #8 Socket  
Twinax/Coax/Quadrx Contacts  
Contact Grounded to Shell  
Environmentally Sealed

Available With Cable Support  
Sealing Achieved by a Removable  
Contact/Cable Seal Boot  
Low Profile Design  
Receptacles Accept #8 Pin  
Twinax/Coax/Quadrx Contacts

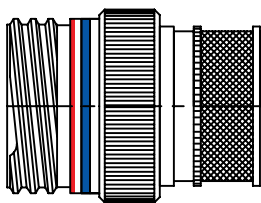
## Connector with Fixed Integral Seal Design



Insertable/Removable #8 Crimp  
Twinax/Coax/Quadrx Contacts  
Scoop-Proof Design  
Plugs Accept #8 Socket  
Twinax/Coax/Quadrx Contacts  
Contact Grounded to Shell  
Environmentally Sealed

Closed Entry Plug Shell  
Sealing Achieved by a Fixed Integral  
Contact/Cable Seal  
Low Profile Design  
Receptacles Accept #8 Pin  
Twinax/Coax/Quadrx Contacts

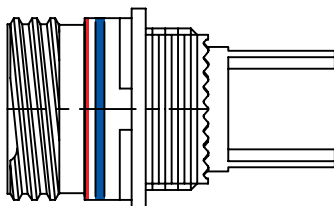
## Connector with Integrated Backshell



Insertable/Removable #8 Crimp  
Twinax/Coax/Quadrx Contacts  
Scoop-Proof Design  
Plugs Accept #8 Socket  
Twinax/Coax/Quadrx Contacts  
Contact Grounded to Shell

Low Profile Design  
Sealing Achieved by a Removable  
Contact/Cable Seal Boot  
Receptacles Accept #8 Pin  
Twinax/Coax/Quadrx Contacts

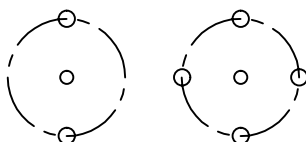
## Connector with P.C. Tail Contacts



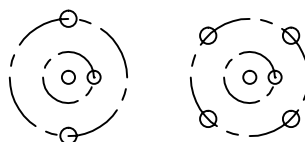
Insertable/Removable #8 Crimp  
Twinax/Coax/Quadrx Contacts  
Contact Grounded to Shell  
Sealing Achieved by Using Epoxy to  
Seal The Contact  
Low Profile Design

Scoop-Proof Design  
Receptacles Accept #8  
Pin Twinax/Coax/Quadrx Contacts

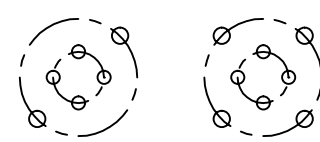
### Size 8 Coax Contact



### Size 8 Twinax Contact



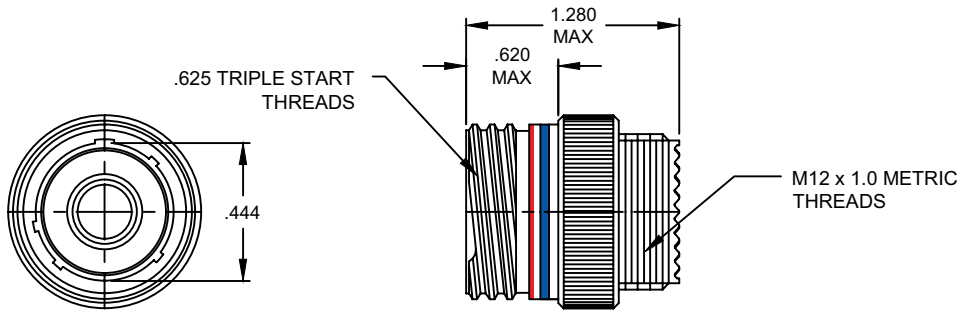
### Size 8 Quadrx Contact



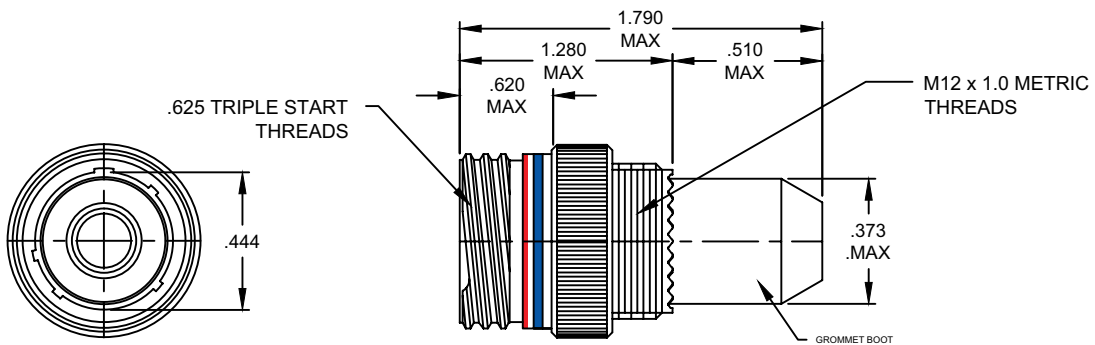
PC tail mounting options Consult Sales

# MIL-DTL-38999 SERIES III

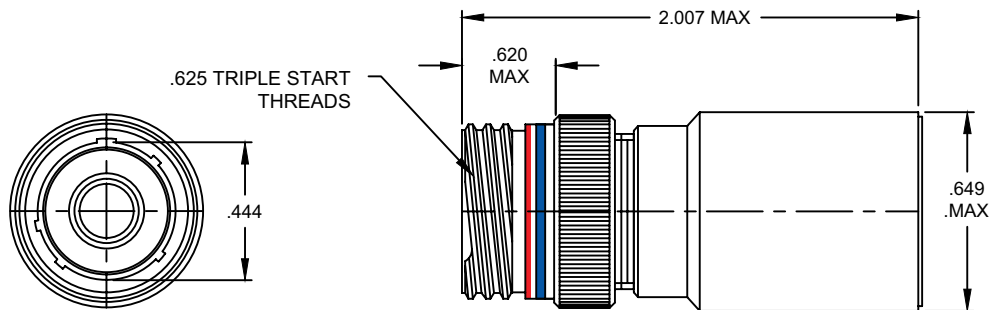
## SC3901\* IN-LINE RECEPTACLE



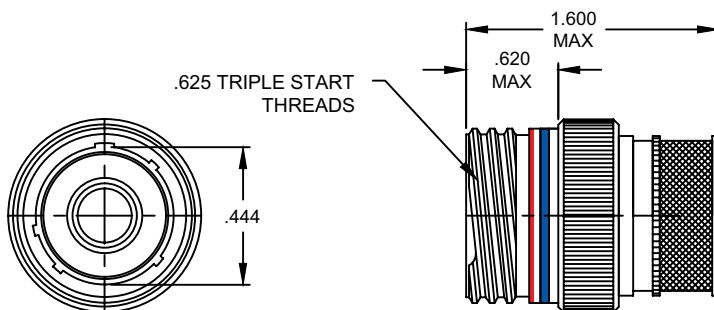
## SC3901\*\*G - REMOVABLE GROMMET BOOT



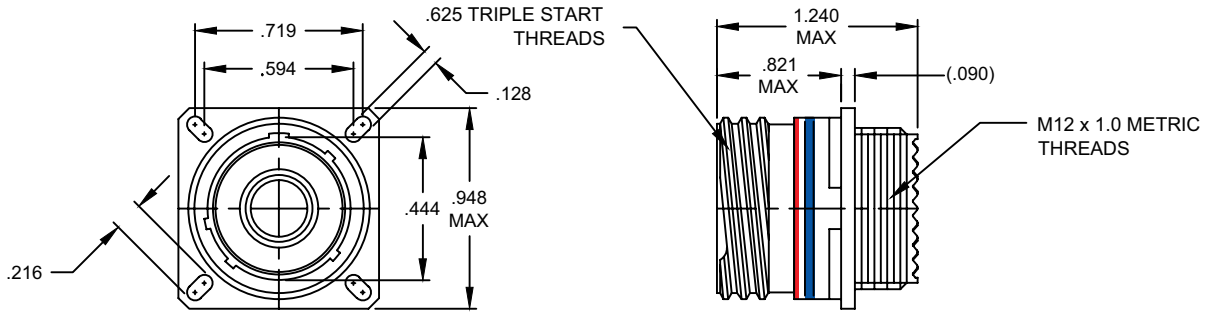
## SC3901\*\*H - FIXED INTEGRAL SEAL



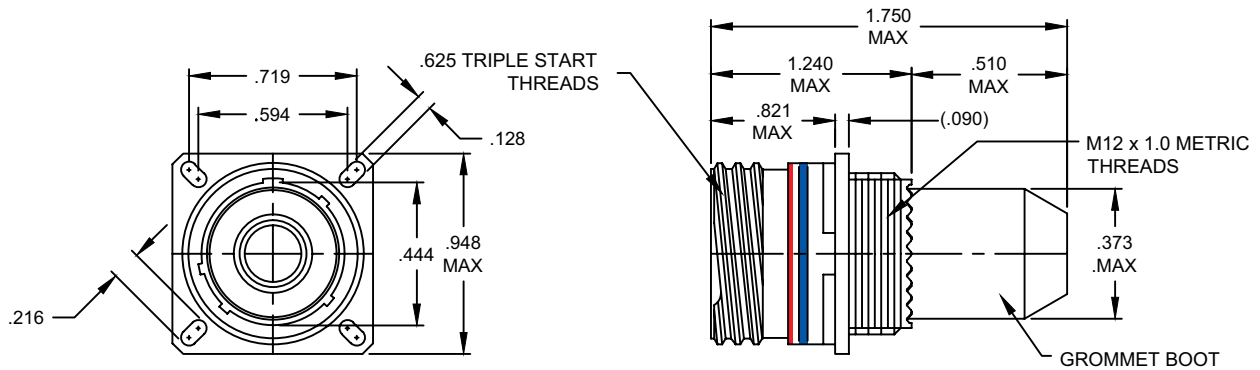
## SC3901\*\*SV - INTEGRATED BACKSHELL



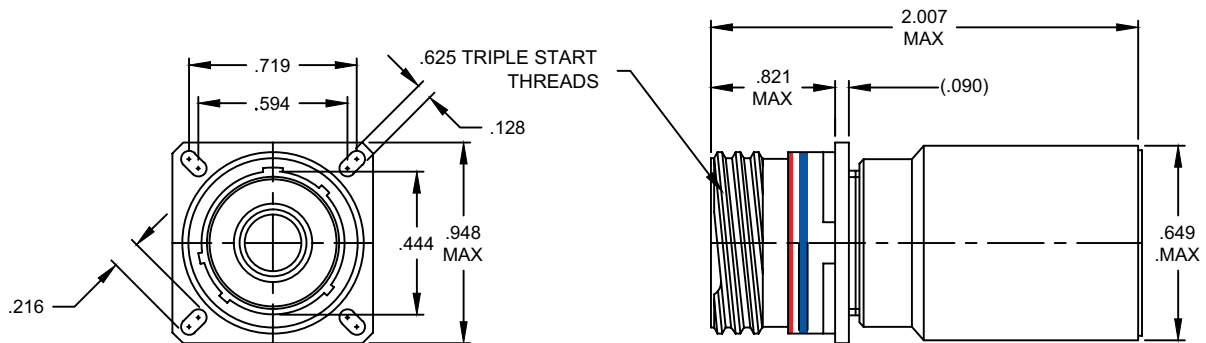
## SC3920\* WALL MOUNT RECEPTACLE



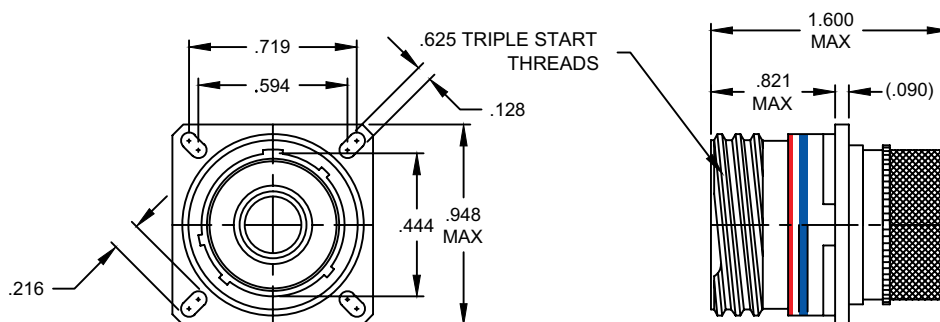
## SC3920\*\*G - REMOVABLE GROMMET BOOT



## SC3920\*\*H - FIXED INTEGRAL SEAL

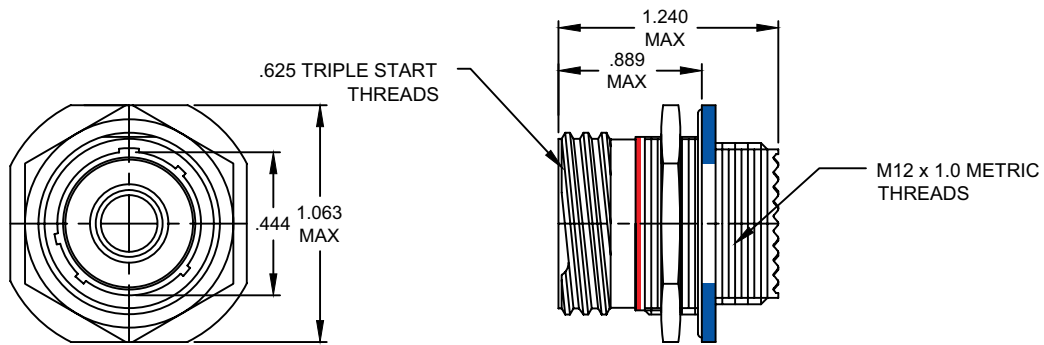


## SC3920\*\*SV - INTEGRATED BACKSHELL

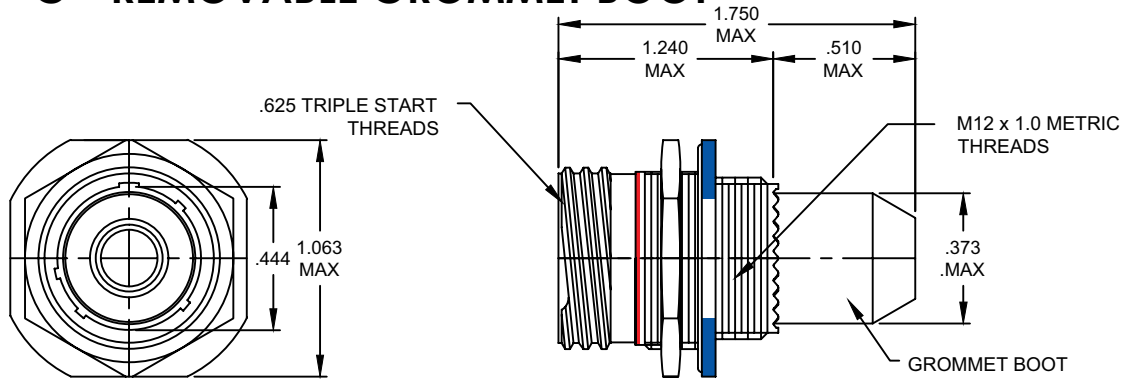


# MIL-DTL-38999 SERIES III

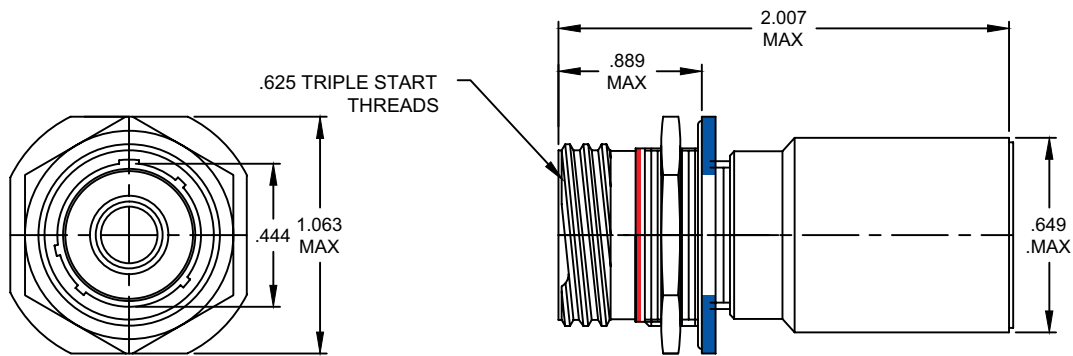
## SC3924\* JAM NUT RECEPTACLE



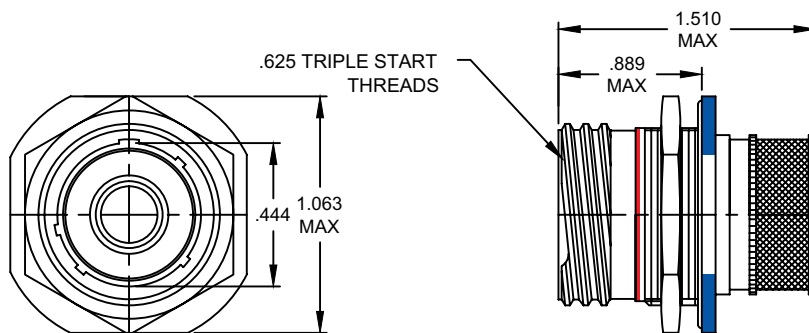
## SC3924\*\*G - REMOVABLE GROMMET BOOT



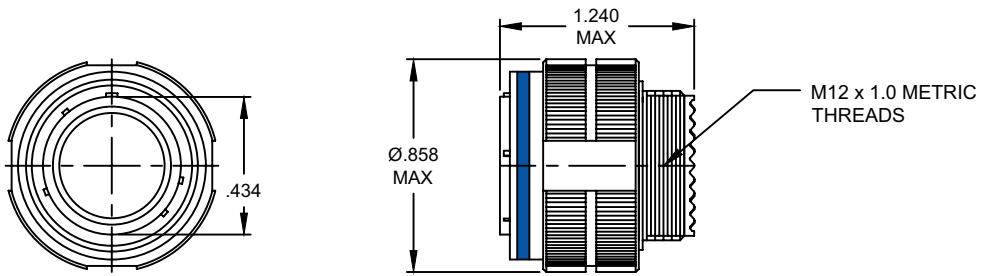
## SC3924\*\*H - FIXED INTEGRAL SEAL



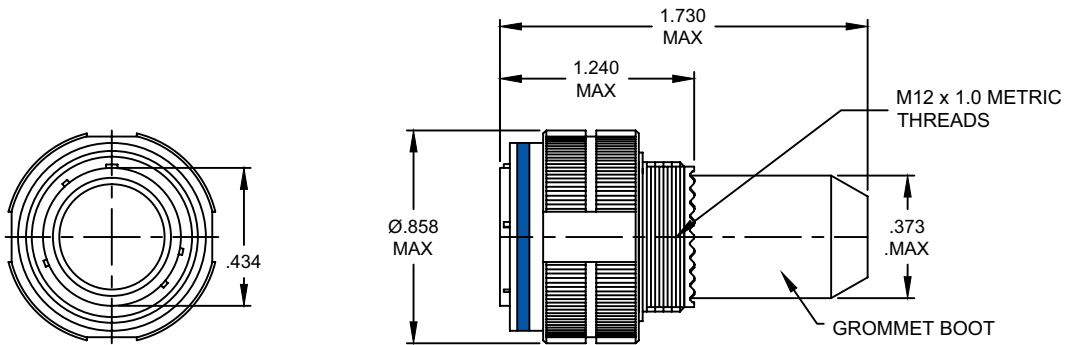
## SC3924\*\*SV - INTEGRATED BACKSHELL



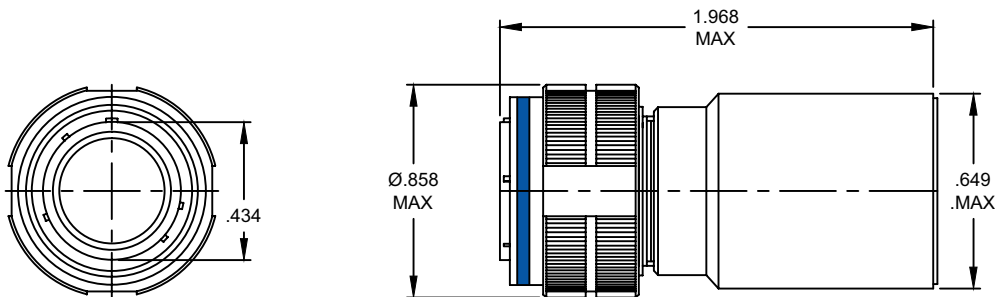
## SC3926\* STRAIGHT PLUG MIL-DTL-38999 SERIES III



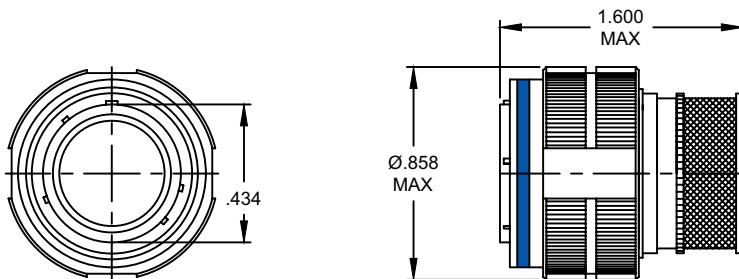
## SC3926\*\*G - REMOVABLE GROMMET BOOT



## SC3926\*\*H - FIXED INTEGRAL SEAL



## SC3926\*\*SV - INTEGRATED BACKSHELL



# SPACECRAFT COMPONENTS CORP.

Your Connector Consultant Since 1962

Try Our  
Other  
Connector  
Products



You Can  
View All Our  
Catalogs and  
Products Brochures  
on our Website  
[www.spacecraft.com](http://www.spacecraft.com)



**SPACECRAFT  
COMPONENTS CORP.**

## Headquarters

3040 Clayton Street  
North Las Vegas, NV 89032

Phone: 702.851.7600  
Fax: 702.851.7620

Email: [salesinfo@spacecraft.com](mailto:salesinfo@spacecraft.com)  
Web: [www.spacecraft.com](http://www.spacecraft.com)

## Florida Office

4577 Nob Hill Road  
Suite 106  
Sunrise, FL 33351  
Tel: 954.748.4540  
Fax: 954.748.4128

## South Carolina Office

25 Woods Lake Rd.,  
Suite 403  
Greenville, SC 29607  
Tel: 954.748.4540  
Fax: 954.748.4128

## Italy Office

Spacecraft Components, sp A  
Milan, Italy  
+39 (335) 719.4512

OCT.2022  
SF-220

COMPILED AND PRODUCED BY SPACECRAFT COMPONENTS CORP.  
©2022 SPACECRAFT COMPONENTS CORP., NORTH LAS VEGAS, NV 89032