

# DuraLock

## RUGGED HYBRID CONNECTORS

A REVERSE BAYONET COUPLING

DESIGNED AROUND

MIL-DTL-38999 INSERT ARRANGEMENTS

SCPB39 SERIES

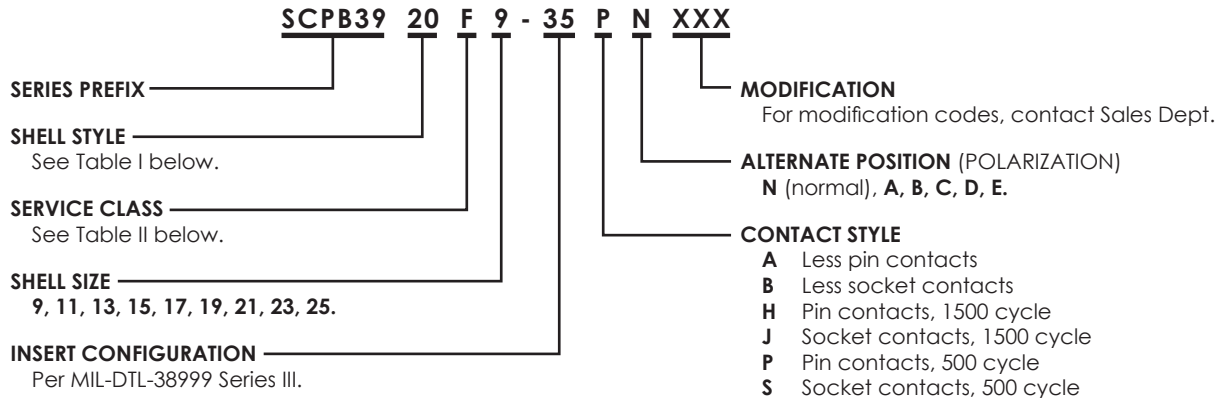


- ▶ Uses M39029 Contacts & Tools
- ▶ Uses M85049 Accessories
- ▶ Coupling provides a positive lock with an audible "Click" in 1/3 turn of the coupling nut
- ▶ Same footprint as MIL-STD-38999 Series III Square Flange Receptacle Shells & Plugs
- ▶ EMI/RFI Shell-to-Shell Grounding



# SCPB39 SERIES

## MIL-DTL-38999 SERIES III REVERSE BAYONET COUPLING ORDERING INFORMATION



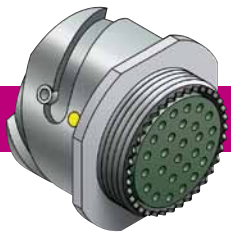
**TABLE I. SHELL STYLE**

PREFIX & SHELL STYLE	DESCRIPTION	AVAILABLE IN CLASS
SCPB3901	In-line receptacle	C, F, L, S, T, W, Z
SCPB3920	Wall mount receptacle	C, F, L, S, T, W, Z
SCPB3924	Jam nut receptacle	C, F, L, S, T, W, Z
SCPB3926	Straight plug, self-locking	C, F, L, S, T, W, Z

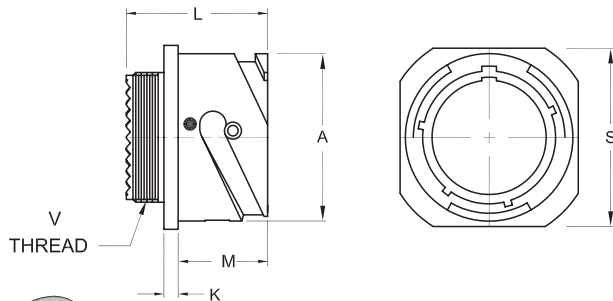
**TABLE II. CLASS**

CLASS	CLASS†	DESCRIPTION	MATERIAL	FINISH	TEMPERATURE
C	SVC	Environmental	Aluminum	Non-conductive anodize, black	-65° to 200°C
F	SVF	Environmental	Aluminum	Electroless nickel	-65° to 200°C
L	SVL	Environmental	Stainless Steel	Electrodeposited nickel	-65° to 200°C
S	SVS	Environmental	Stainless Steel	Passivated	-65° to 200°C
T	SVT	Environmental	Aluminum	Nickel fluorocarbon polymer	-65° to 175°C
W	SVW	Environmental	Aluminum	Cadmium olive drab 500 hr. salt spray	-65° to 175°C
X	SVX	Environmental	Aluminum	Zinc cobalt	-65° to 175°C
Y	SVY	Environmental	Aluminum	Zinc cobalt, black	-65° to 175°C
Z	SVZ	Environmental	Aluminum	Zinc nickel, black, 500 hr.	-65° to 175°C

† Integrated Backshell (not illustrated).

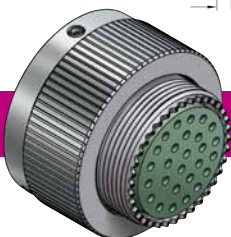


## SCPB3901 IN-LINE RECEPTACLE

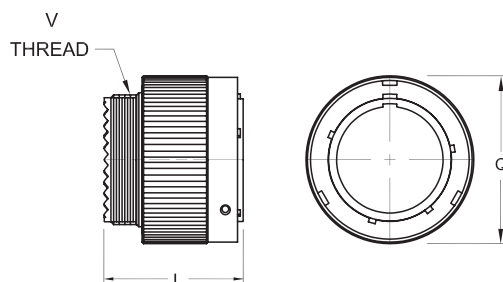


SHELL SIZE	A +0.00/+0.000 -0.15/-0.000	K +0.38/+0.015 -0.00/-0.000	L MAX	M +0.38/+0.015 -0.00/-0.000	S ±0.30/+0.012	V THREADS
9	18.20/ <b>0.717</b>	2.11/ <b>0.083</b>	31.50/ <b>1.240</b>	20.45/ <b>0.805</b>	18.42/ <b>0.725</b>	M12 x 1-6g
11	21.16/ <b>0.833</b>	2.11/ <b>0.083</b>	31.50/ <b>1.240</b>	20.45/ <b>0.805</b>	21.34/ <b>0.840</b>	M15 x 1-6g
13	24.60/ <b>0.969</b>	2.11/ <b>0.083</b>	31.50/ <b>1.240</b>	20.45/ <b>0.805</b>	24.77/ <b>0.975</b>	M18 x 1-6g
15	27.40/ <b>1.070</b>	2.11/ <b>0.083</b>	31.50/ <b>1.240</b>	20.45/ <b>0.805</b>	27.58/ <b>1.086</b>	M22 x 1-6g
17	30.80/ <b>1.213</b>	2.11/ <b>0.083</b>	31.50/ <b>1.240</b>	20.45/ <b>0.805</b>	30.99/ <b>1.220</b>	M25 x 1-6g
19	34.20/ <b>1.346</b>	2.11/ <b>0.083</b>	31.50/ <b>1.240</b>	20.45/ <b>0.805</b>	34.29/ <b>1.350</b>	M28 x 1-6g
21	37.40/ <b>1.472</b>	2.11/ <b>0.083</b>	31.50/ <b>1.240</b>	20.45/ <b>0.805</b>	37.59/ <b>1.480</b>	M31 x 1-6g
23	40.90/ <b>1.610</b>	2.11/ <b>0.083</b>	31.50/ <b>1.240</b>	20.45/ <b>0.805</b>	41.02/ <b>1.615</b>	M34 x 1-6g
25	46.70/ <b>1.839</b>	2.11/ <b>0.083</b>	31.50/ <b>1.240</b>	20.45/ <b>0.805</b>	46.86/ <b>1.845</b>	M37 x 1-6g

DIMENSIONS IN *ITALICS* ARE INCHES.



## SCPB3926 STRAIGHT PLUG

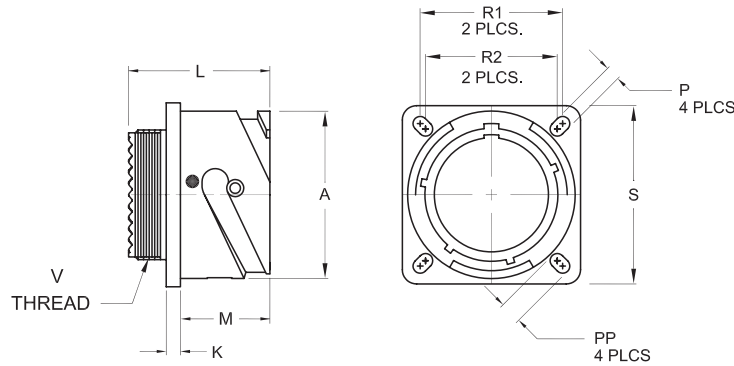
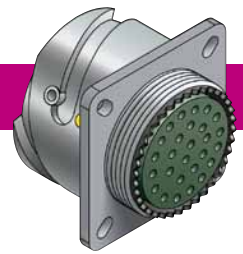


SHELL SIZE	Q MAX	L MAX	V THREADS
9	22.80/ <b>0.898</b>	31.50/ <b>1.240</b>	M12 x 1-6g
11	25.90/ <b>1.020</b>	31.50/ <b>1.240</b>	M15 x 1-6g
13	29.21/ <b>1.150</b>	31.50/ <b>1.240</b>	M18 x 1-6g
15	33.00/ <b>1.299</b>	31.50/ <b>1.240</b>	M22 x 1-6g
17	36.50/ <b>1.437</b>	31.50/ <b>1.240</b>	M25 x 1-6g
19	39.90/ <b>1.571</b>	31.50/ <b>1.240</b>	M28 x 1-6g
21	43.10/ <b>1.697</b>	31.50/ <b>1.240</b>	M31 x 1-6g
23	46.60/ <b>1.835</b>	31.50/ <b>1.240</b>	M34 x 1-6g
25	53.40/ <b>2.102</b>	31.50/ <b>1.240</b>	M37 x 1-6g

DIMENSIONS IN *ITALICS* ARE INCHES.

# SCPB3920

## WALL MOUNT RECEPTACLE

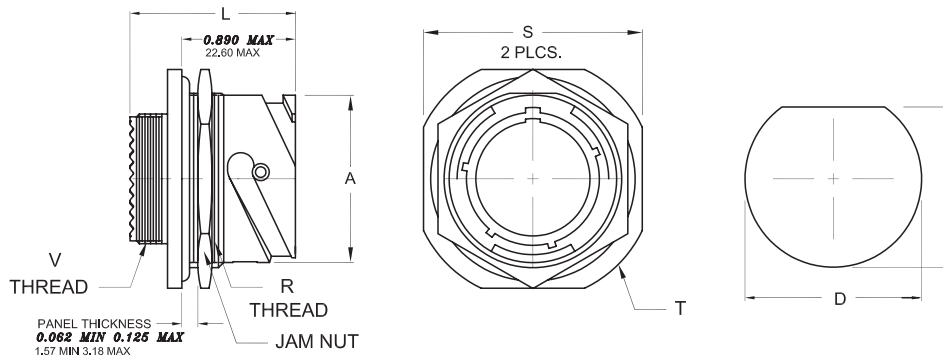


SHELL SIZE	A +0.00/+0.000 -0.15/-0.006	K +0.38/+0.015 -0.00/-0.000	L MAX	M +0.38/+0.015 -0.00/-0.000	P ±0.20/±0.008	PP ±0.20/±0.005	R1	R2	S ±0.30/±0.012	V THREADS
9	18.20/ <i>0.717</i>	2.11/ <i>0.083</i>	31.50/ <i>1.240</i>	20.45/ <i>0.805</i>	3.25/ <i>0.128</i>	5.49/ <i>0.216</i>	18.26/ <i>0.719</i>	15.09/ <i>0.594</i>	23.80/ <i>0.937</i>	M12 x 1-6g
11	21.16/ <i>0.833</i>	2.11/ <i>0.083</i>	31.50/ <i>1.240</i>	20.45/ <i>0.805</i>	3.25/ <i>0.128</i>	4.93/ <i>0.194</i>	20.62/ <i>0.812</i>	18.26/ <i>0.719</i>	26.20/ <i>1.031</i>	M15 x 1-6g
13	24.60/ <i>0.969</i>	2.11/ <i>0.083</i>	31.50/ <i>1.240</i>	20.45/ <i>0.805</i>	3.25/ <i>0.128</i>	4.93/ <i>0.194</i>	23.01/ <i>0.906</i>	20.02/ <i>0.812</i>	28.60/ <i>1.126</i>	M18 x 1-6g
15	27.40/ <i>1.079</i>	2.11/ <i>0.083</i>	31.50/ <i>1.240</i>	20.45/ <i>0.805</i>	3.25/ <i>0.128</i>	4.93/ <i>0.194</i>	24.61/ <i>0.969</i>	23.01/ <i>0.906</i>	31.00/ <i>1.220</i>	M22 x 1-6g
17	30.80/ <i>1.213</i>	2.11/ <i>0.083</i>	31.50/ <i>1.240</i>	20.45/ <i>0.805</i>	3.25/ <i>0.128</i>	4.93/ <i>0.194</i>	20.07/ <i>1.062</i>	24.61/ <i>0.969</i>	33.30/ <i>1.311</i>	M25 x 1-6g
19	34.20/ <i>1.346</i>	2.11/ <i>0.083</i>	31.50/ <i>1.240</i>	20.45/ <i>0.805</i>	3.25/ <i>0.128</i>	4.93/ <i>0.194</i>	29.36/ <i>1.156</i>	20.97/ <i>1.062</i>	30.50/ <i>1.437</i>	M28 x 1-6g
21	37.40/ <i>1.472</i>	2.11/ <i>0.083</i>	31.50/ <i>1.240</i>	20.45/ <i>0.805</i>	3.25/ <i>0.128</i>	4.93/ <i>0.194</i>	31.75/ <i>1.250</i>	29.36/ <i>1.156</i>	39.70/ <i>1.563</i>	M31 x 1-6g
23	40.90/ <i>1.610</i>	2.11/ <i>0.083</i>	31.50/ <i>1.240</i>	20.45/ <i>0.805</i>	3.91/ <i>0.154</i>	6.15/ <i>0.242</i>	34.93/ <i>1.375</i>	31.75/ <i>1.250</i>	42.90/ <i>1.689</i>	M34 x 1-6g
25	46.70/ <i>1.839</i>	2.11/ <i>0.083</i>	31.50/ <i>1.240</i>	20.45/ <i>0.805</i>	3.91/ <i>0.154</i>	6.15/ <i>0.242</i>	38.10/ <i>1.500</i>	34.93/ <i>1.375</i>	46.00/ <i>1.811</i>	M37 x 1-6g

DIMENSIONS IN *ITALICS* ARE INCHES.

# SCPB3924

## JAM NUT RECEPTACLE\*



SHELL SIZE	A +0.00/+0.000 -0.15/-0.006	K +0.90/+0.035 -0.10/-0.004	L MAX	R THREADS	S ±0.40/±0.016	T ±0.30/±0.011	V THREADS	JAM NUT	D +0.25/+0.010 -0.00/-0.000	E +0.00/+0.000 -0.25/-0.010
9	18.20/ <i>0.717</i>	2.21/ <i>0.067</i>	32.51/ <i>1.260</i>	M20 x 1-6g	31.80/ <i>1.252</i>	34.90/ <i>1.374</i>	M12 x 1-6g	D38999/28-2	20.96/ <i>0.825</i>	19.59/ <i>0.771</i>
11	21.16/ <i>0.833</i>	2.21/ <i>0.087</i>	32.51/ <i>1.280</i>	M25 x 1-6g	34.90/ <i>1.374</i>	38.10/ <i>1.500</i>	M15 x 1-6g	D38999/28-3	25.65/ <i>1.010</i>	24.26/ <i>0.955</i>
13	24.60/ <i>0.969</i>	2.21/ <i>0.067</i>	32.51/ <i>1.260</i>	M28 x 1-6g	38.10/ <i>1.500</i>	41.30/ <i>1.626</i>	M18 x 1-6g	D38999/28-4	28.83/ <i>1.135</i>	27.56/ <i>1.085</i>
15	27.40/ <i>1.079</i>	2.21/ <i>0.087</i>	32.51/ <i>1.280</i>	M32 x 1-6g	41.30/ <i>1.626</i>	44.50/ <i>1.752</i>	M22 x 1-6g	D38999/28-6	32.01/ <i>1.260</i>	30.73/ <i>1.210</i>
17	30.80/ <i>1.213</i>	2.21/ <i>0.087</i>	32.51/ <i>1.280</i>	M35 x 1-6g	46.00/ <i>1.811</i>	49.20/ <i>1.937</i>	M25 x 1-6g	D38999/28-8	35.18/ <i>1.385</i>	33.91/ <i>1.335</i>
19	34.20/ <i>1.346</i>	3.00/ <i>0.118</i>	32.51/ <i>1.280</i>	M38 x 1-6g	49.20/ <i>1.937</i>	52.40/ <i>2.063</i>	M28 x 1-6g	D38999/28-9	38.35/ <i>1.510</i>	37.08/ <i>1.460</i>
21	37.40/ <i>1.472</i>	3.00/ <i>0.118</i>	32.51/ <i>1.280</i>	M41 x 1-6g	52.40/ <i>2.063</i>	55.60/ <i>2.189</i>	M31 x 1-6g	D38999/28-10	41.53/ <i>1.635</i>	40.26/ <i>1.585</i>
23	40.90/ <i>1.610</i>	3.00/ <i>0.118</i>	32.51/ <i>1.280</i>	M44 x 1-6g	55.60/ <i>2.189</i>	58.70/ <i>2.311</i>	M34 x 1-6g	D38999/28-11	44.70/ <i>1.760</i>	43.43/ <i>1.710</i>
25	46.70/ <i>1.839</i>	3.00/ <i>0.118</i>	32.51/ <i>1.280</i>	M50 x 1-6g	61.70/ <i>2.429</i>	64.80/ <i>2.551</i>	M37 x 1-6g	SC99928-12	50.70/ <i>1.996</i>	49.43/ <i>1.946</i>

DIMENSIONS IN *ITALICS* ARE INCHES.

\* The cut-out for the Jam Nut Receptacle is one size larger than MIL-DTL-38999 Series III.





# SPACECRAFT COMPONENTS CORP.

Your Connector Consultant Since 1962



SCP 5015 STYLE  
CONNECTORS  
(CATALOG 102)



SCPT 26482 STYLE  
SC1 38999 SERIES I  
SC2 38999 SERIES II  
SC39 38999 SERIES III  
(CATALOG 202)



SCPB SERIES  
(CATALOG 302)



CONNECTOR  
ACCESSORIES  
(CATALOG 401)



CONNECTORS  
WITH INTEGRATED  
BACKSHELLS  
(CATALOG 601)

**Try our other  
connector products.  
Catalogs available.**

**COMING SOON...  
CATALOG 701  
All Plastic Connectors**



**SPACECRAFT  
COMPONENTS CORP.**



#### Headquarters

3040 Clayton Street  
North Las Vegas, NV 89032

Phone: 702.851.7600  
Fax: 702.851.7620

Email: [salesinfo@spacecraft.com](mailto:salesinfo@spacecraft.com)  
Web: [www.spacecraft.com](http://www.spacecraft.com)

#### Florida Office

10732 NW 53<sup>rd</sup> St.  
Sunrise, FL 33351  
Tel: 954.748.4540  
Fax: 954.748.4128

#### Arizona Office

519 W. Lone Cactus Dr.  
Suite 401  
Phoenix, AZ 85027  
Tel: 623.580.1162  
Fax: 623.580.1165

#### Italy Office

Spacecraft Components, sp A  
Milan, Italy  
+39 (335) 719.4512

#### Mexico Office

Av. Constituyentes 13-6 Col. Pueblo Nuevo  
Queretaro, Qro 76900  
+52 442 341 69 63

**AUG 2012  
SF-131**

COMPILED AND PRODUCED BY SPACECRAFT COMPONENTS CORP.  
©2012 SPACECRAFT COMPONENTS CORP., NORTH LAS VEGAS, NV 89032